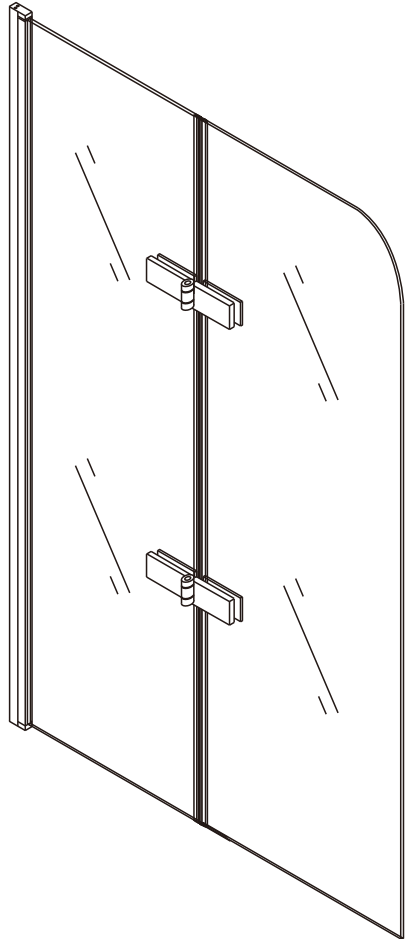


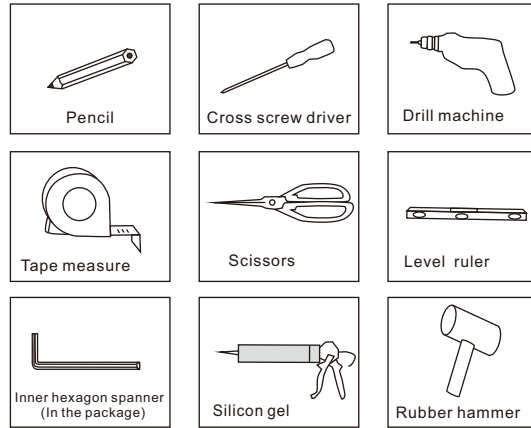
INSTALLATION MANUAL



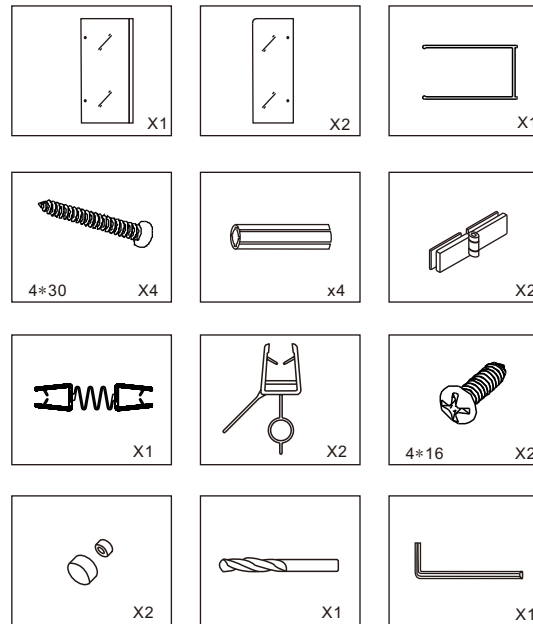
ATL-209

1

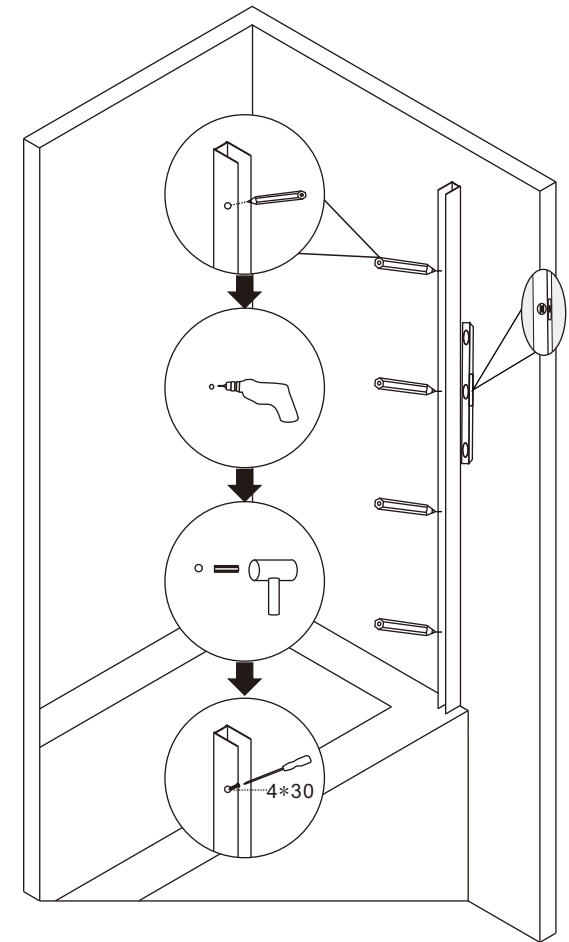
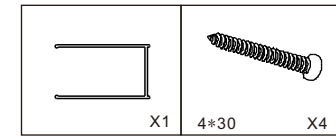
TOOL PICTURE



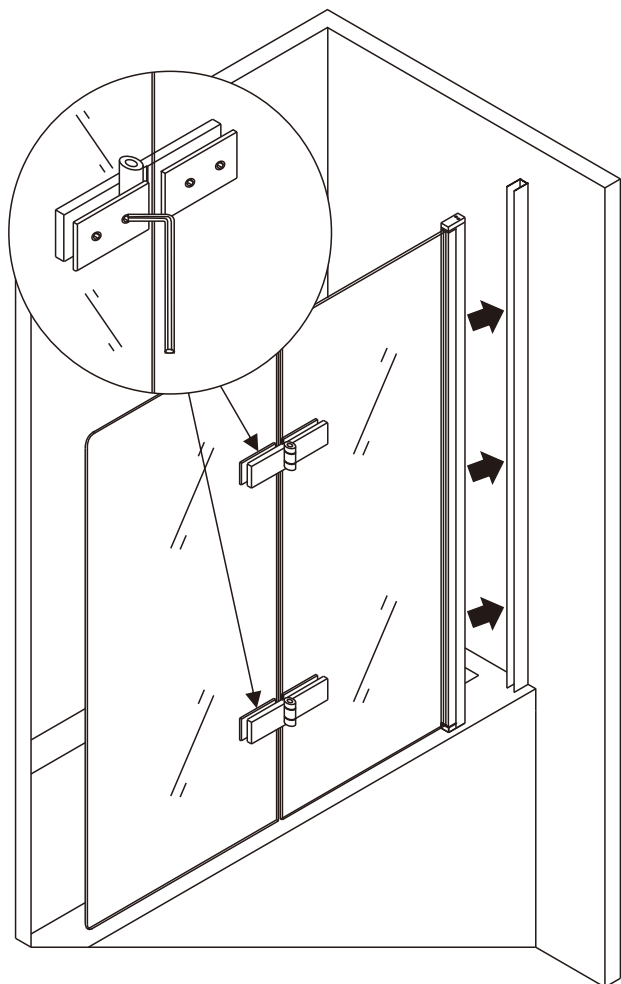
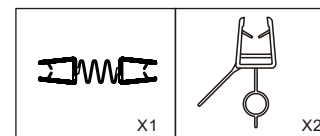
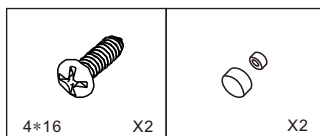
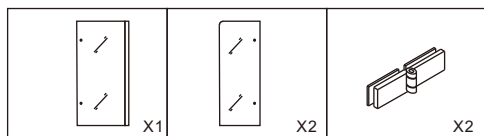
Accessory list



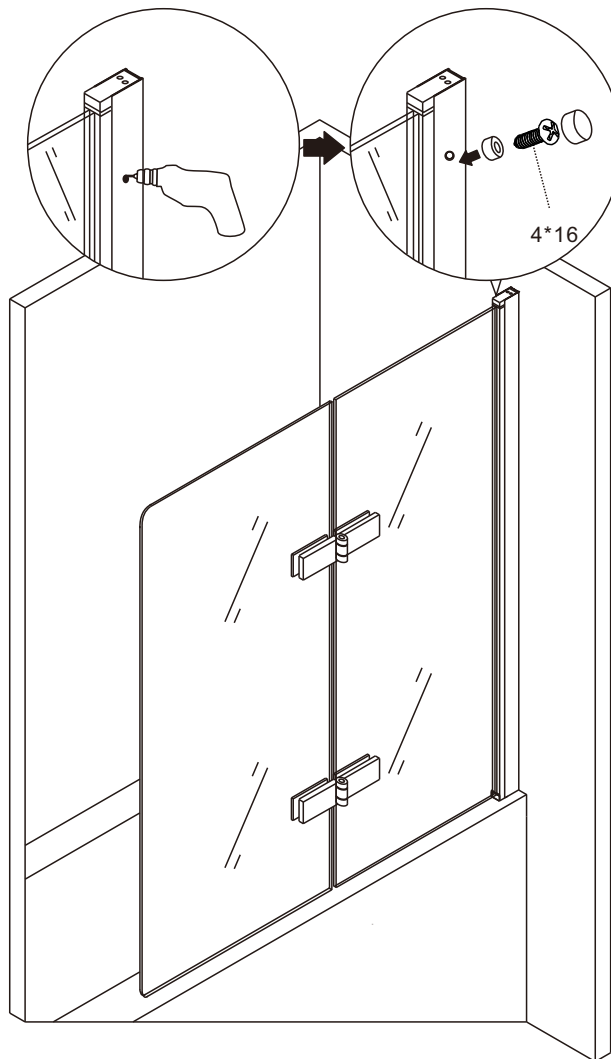
2



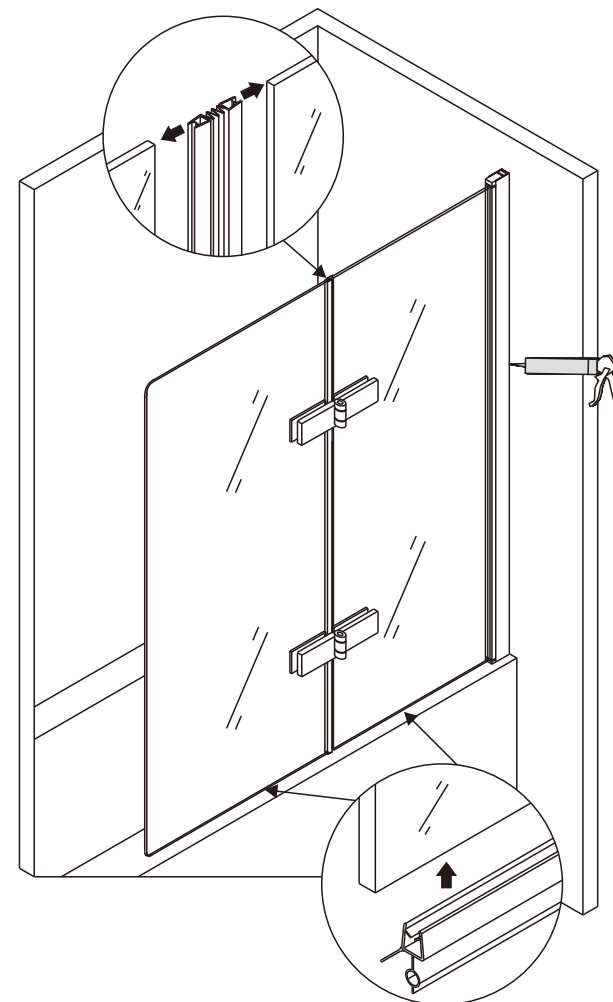
3



4



5



6