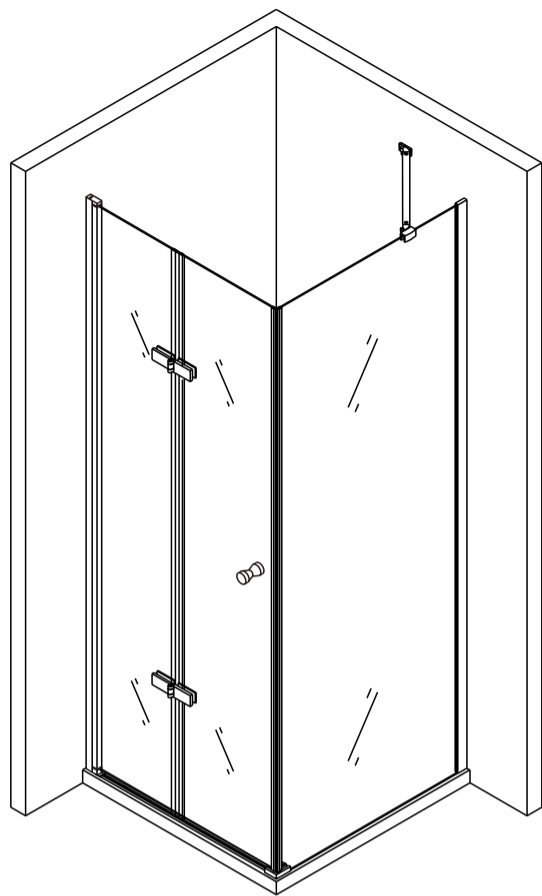
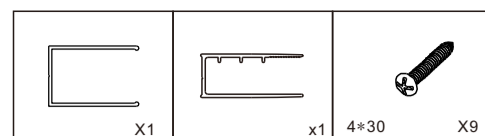
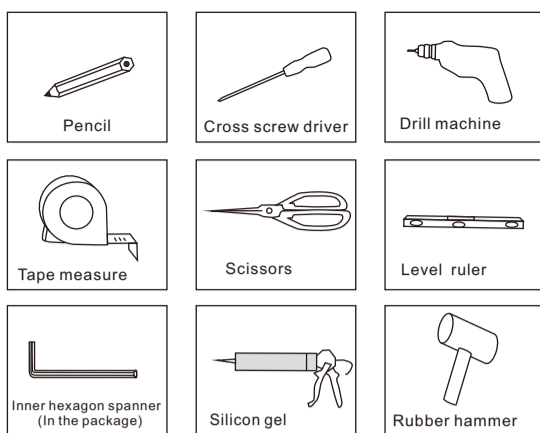


# INSTALLATION MANUAL

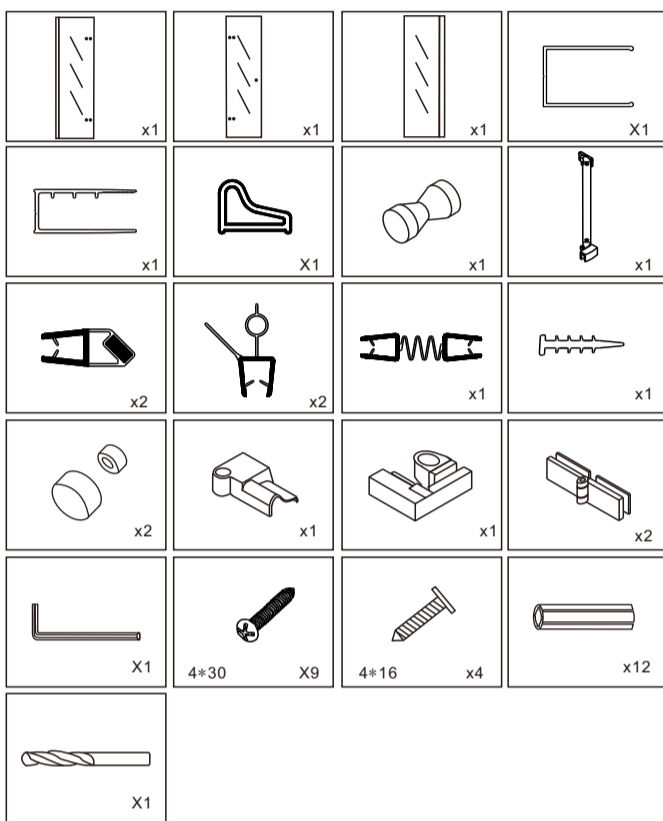
## TOOL PICTURE



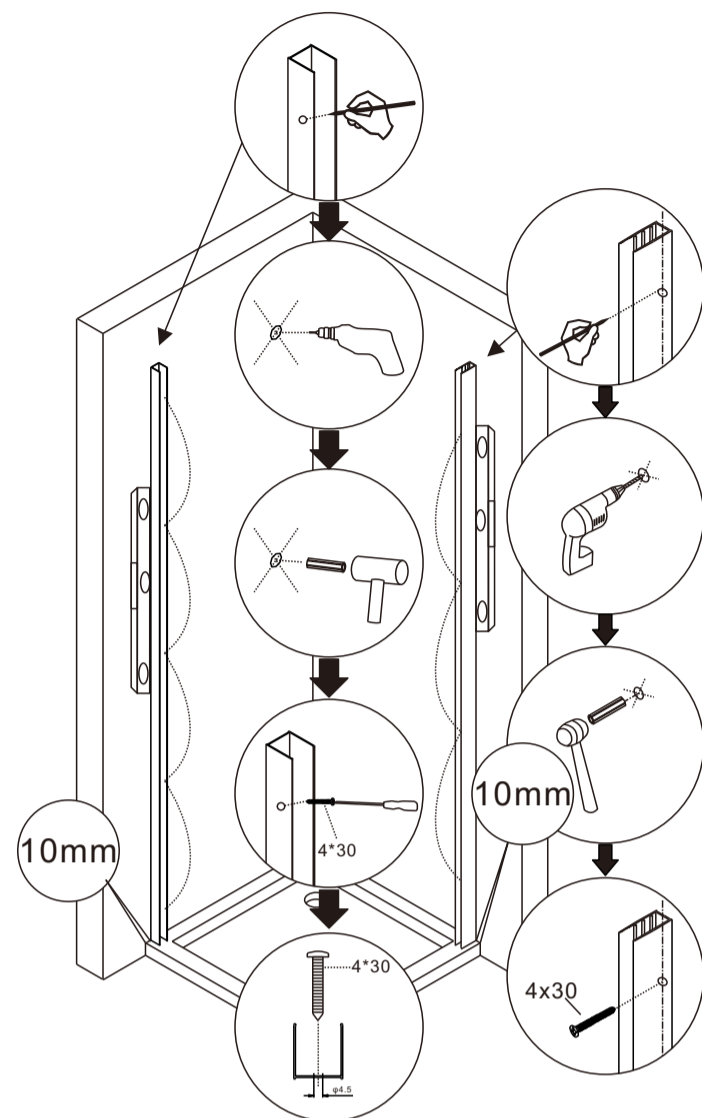
# ATL-215

1

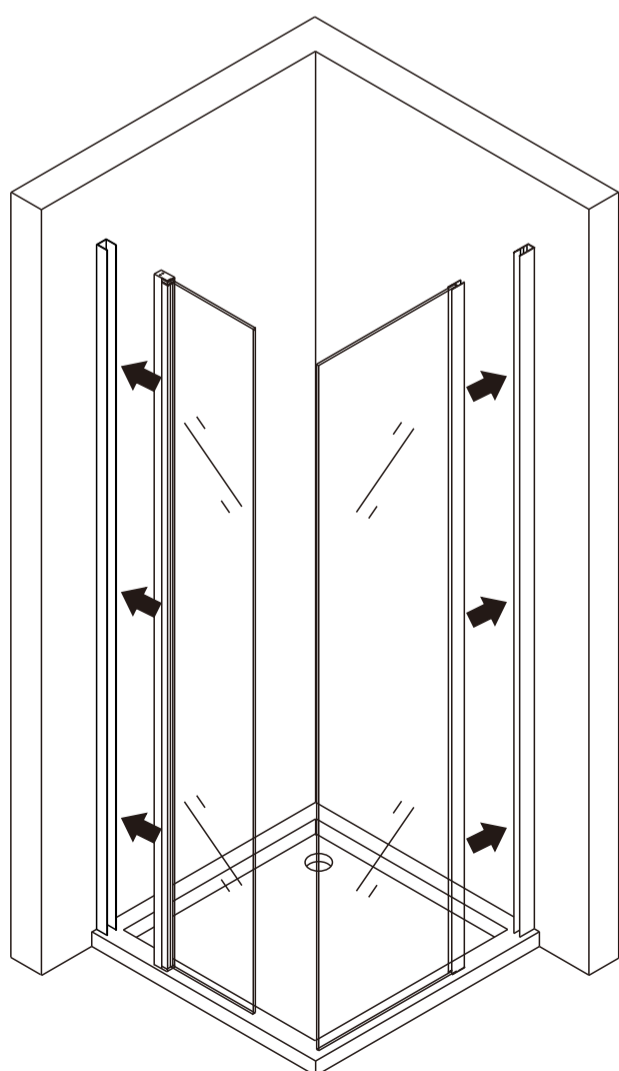
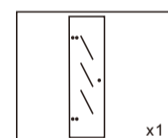
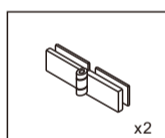
## Accessory list



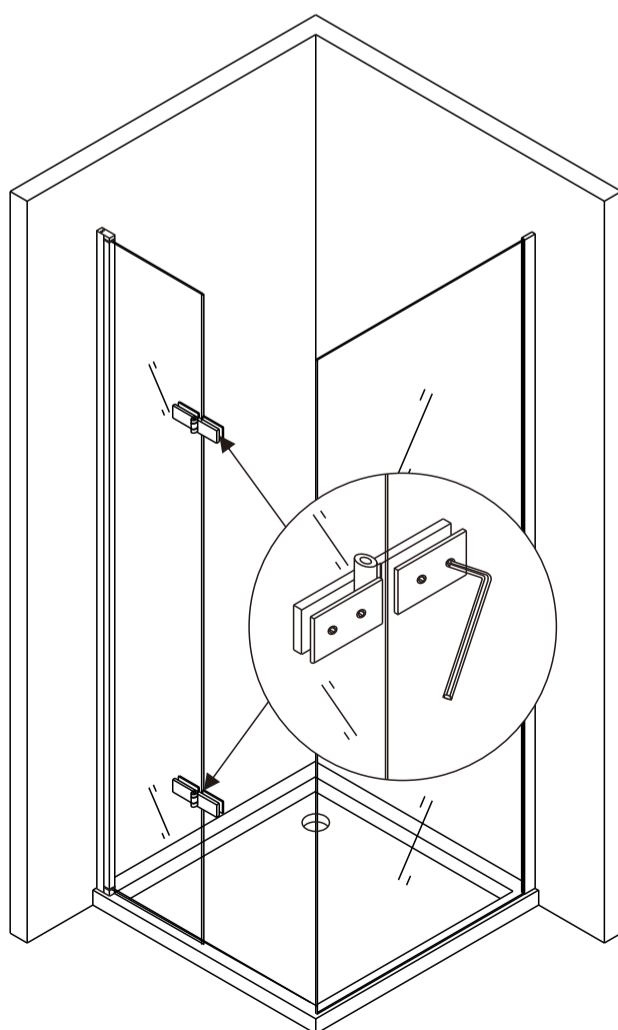
2



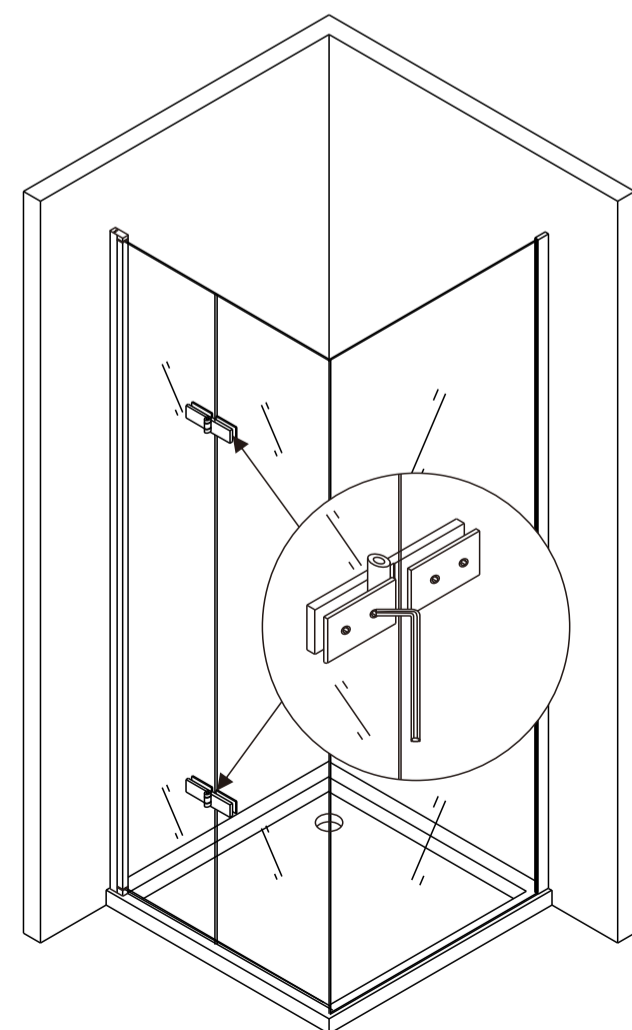
3



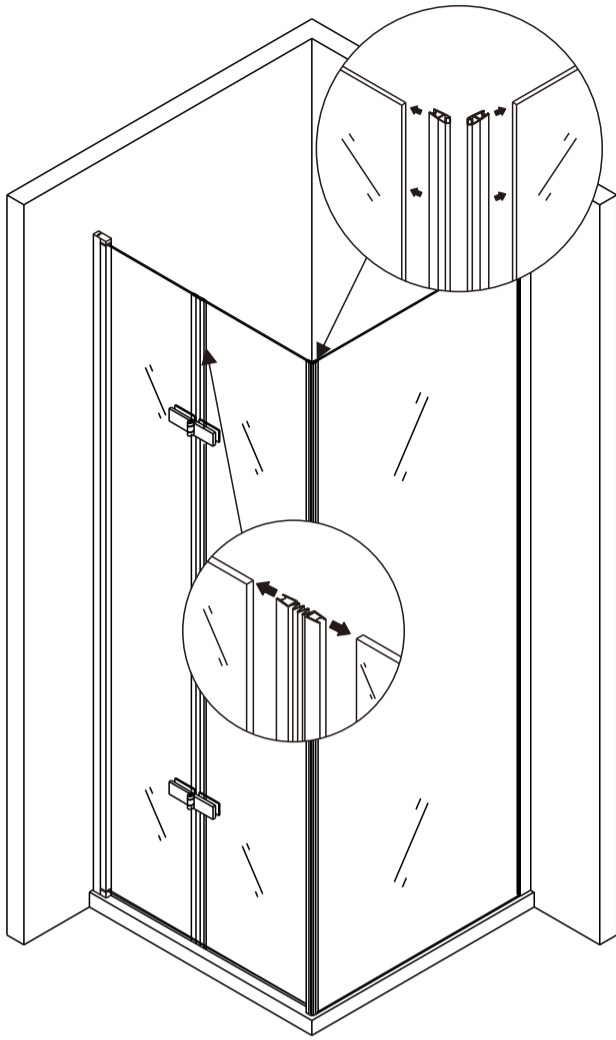
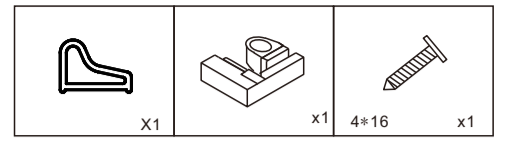
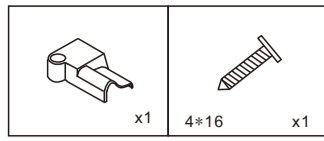
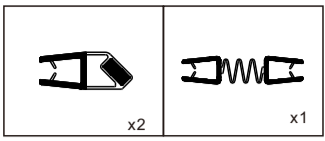
4



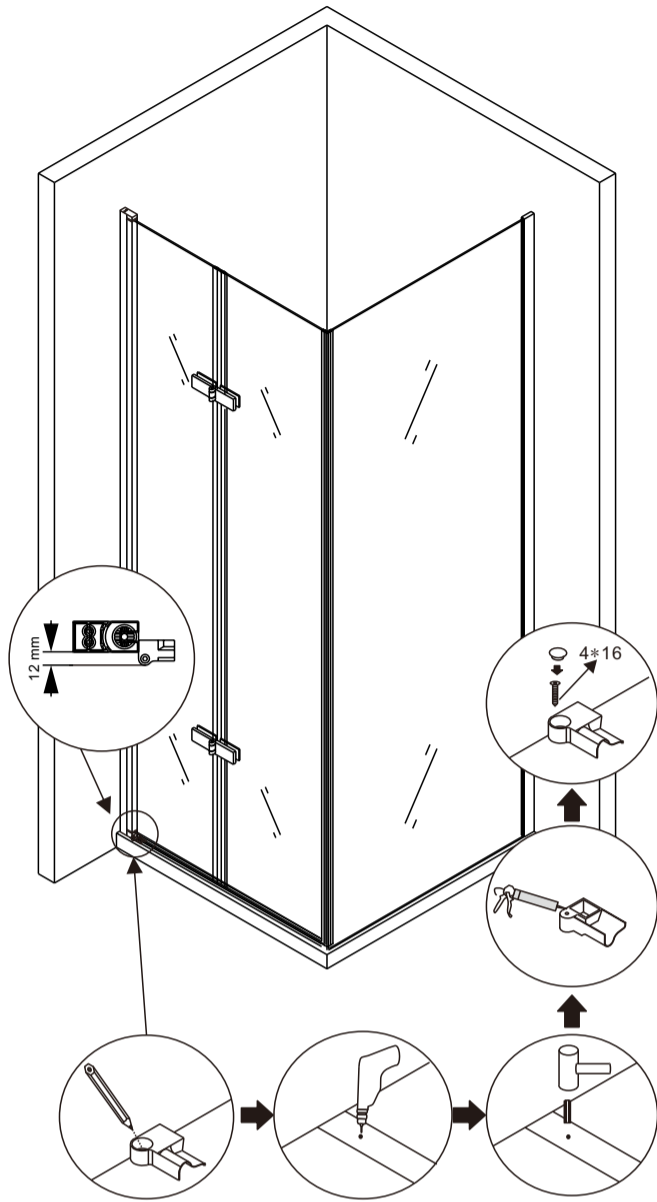
5



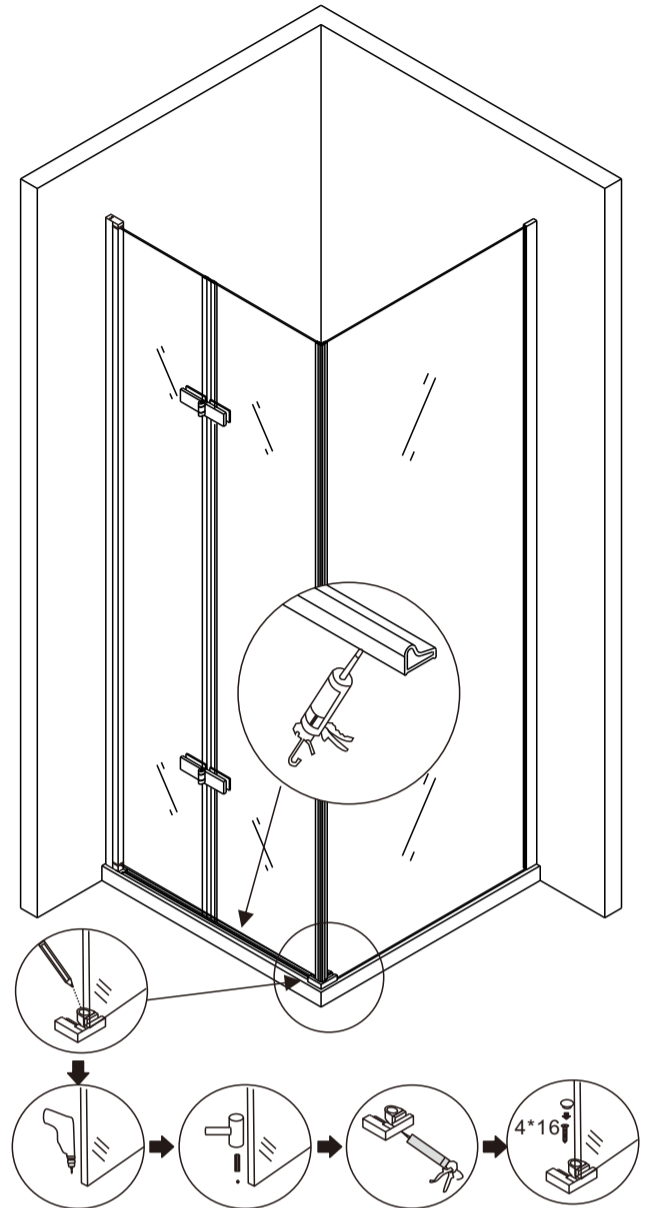
6



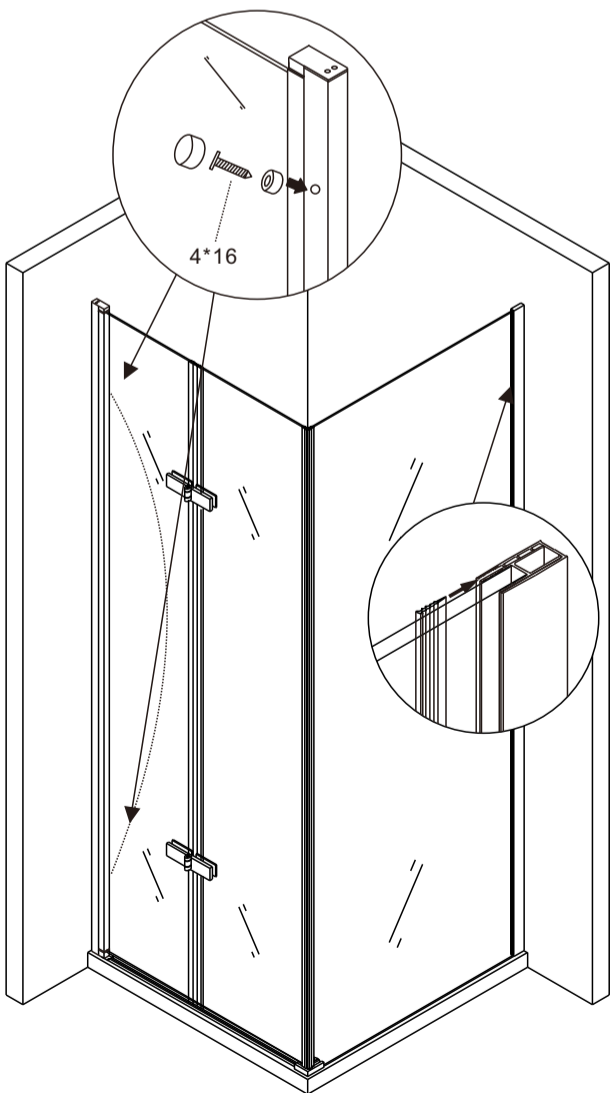
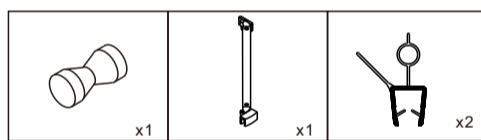
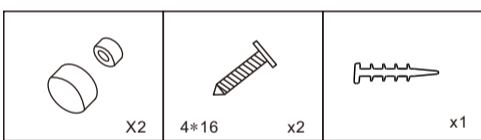
7



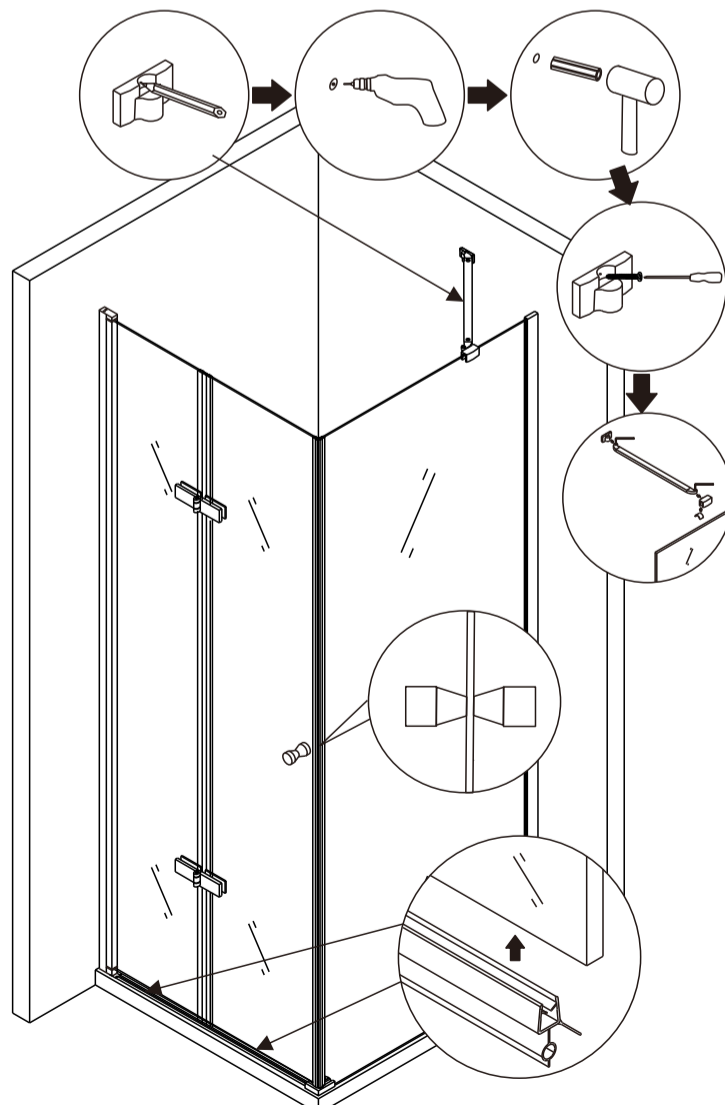
8



9



10



11

12