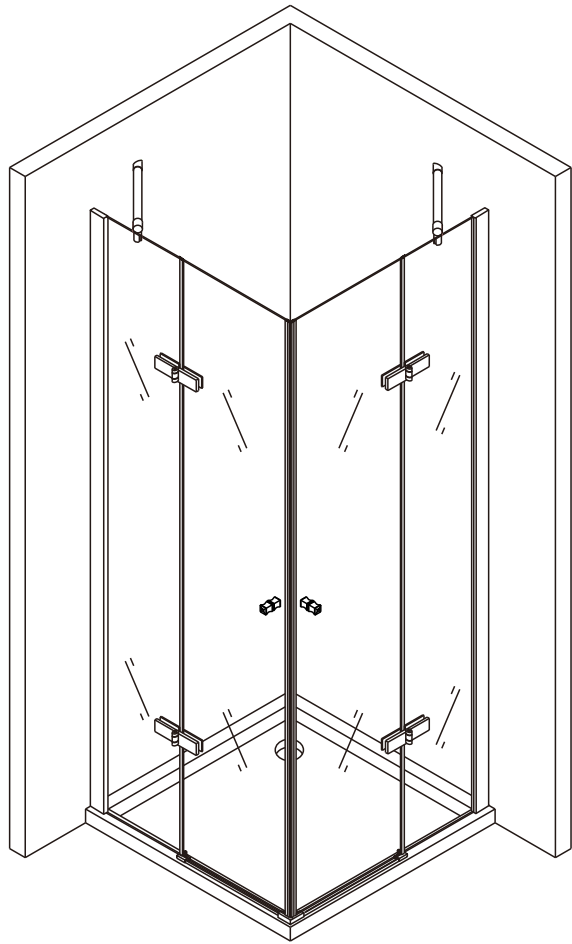
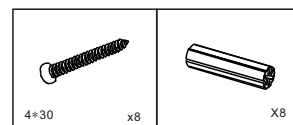
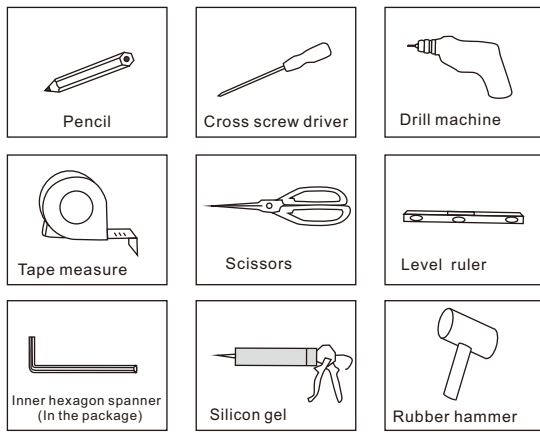


# INSTALLATION MANUAL

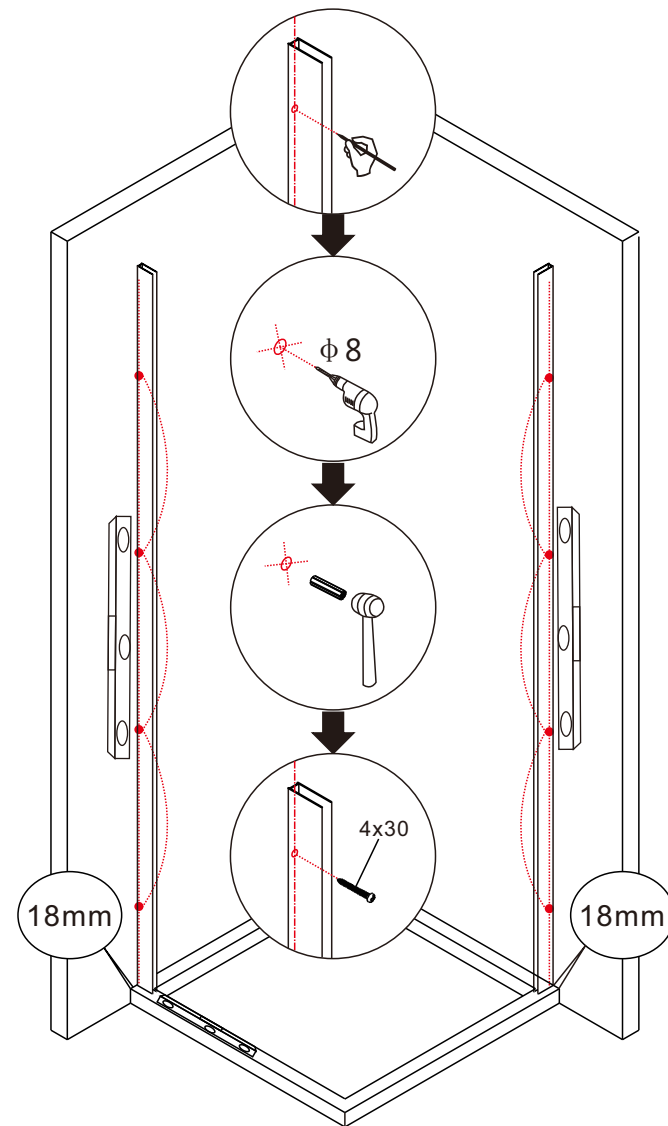
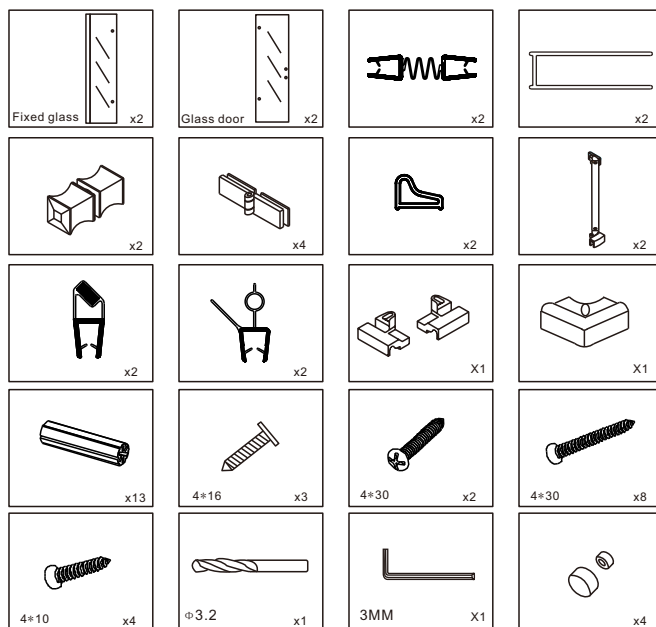


## ATL-407

### TOOL PICTURE



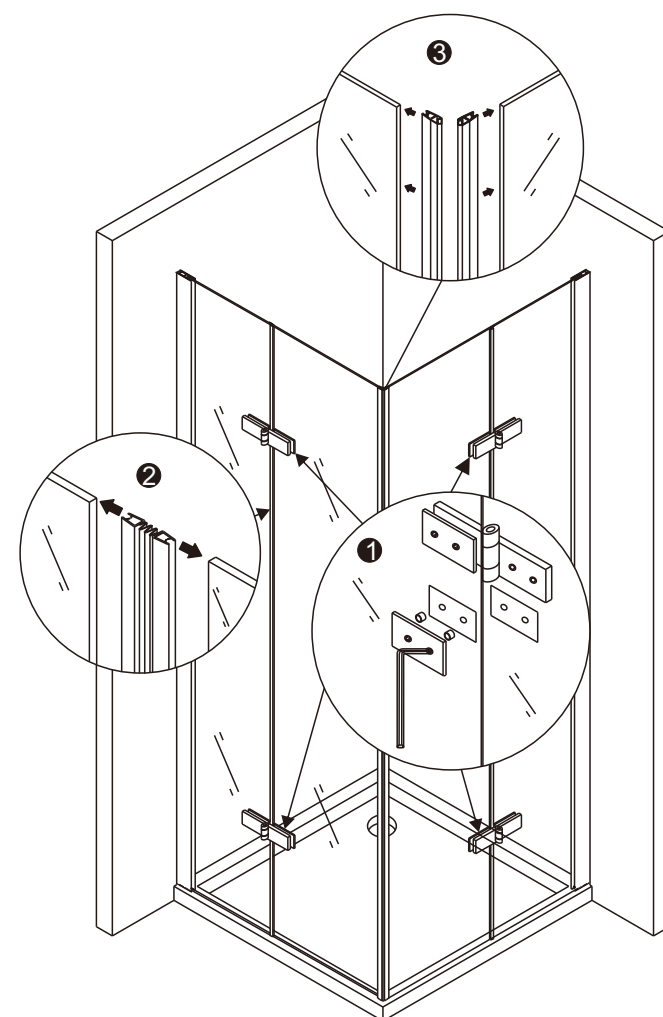
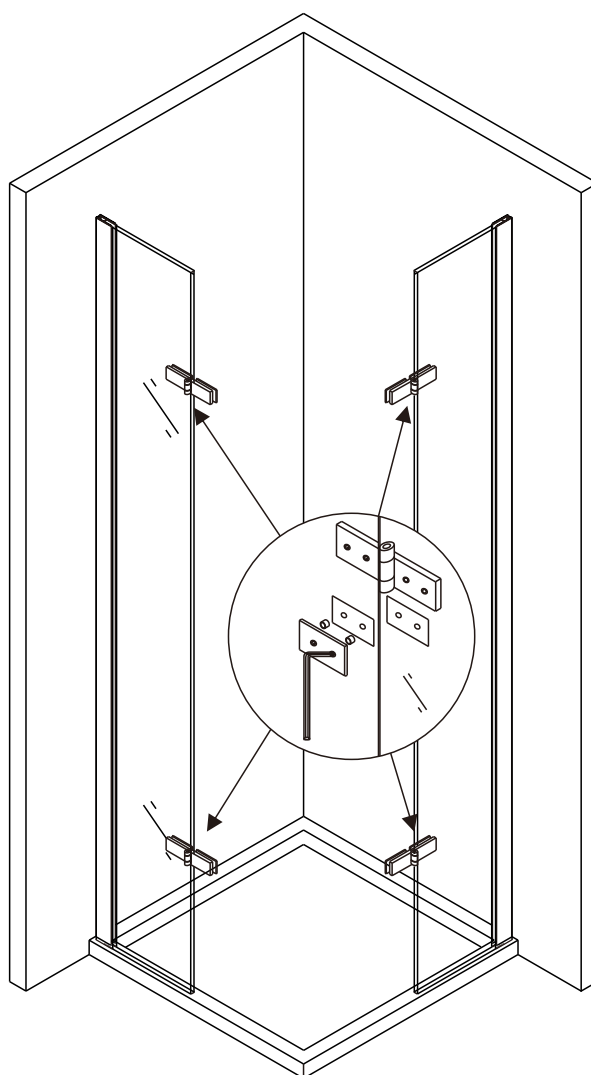
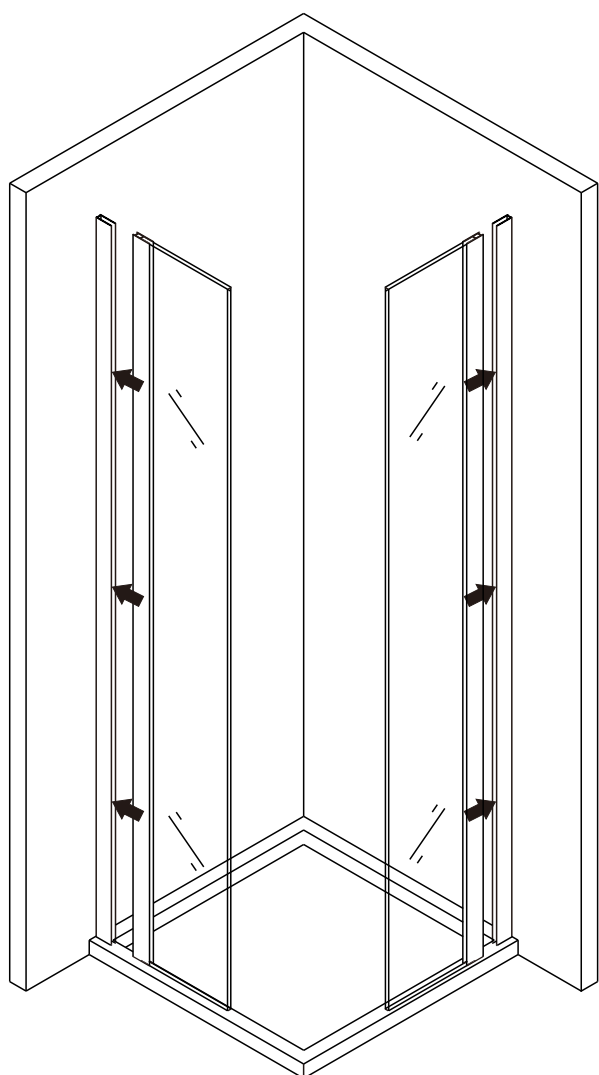
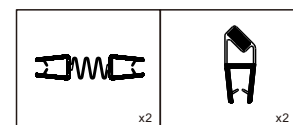
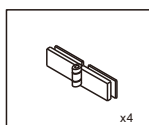
### Accessory list



1

2

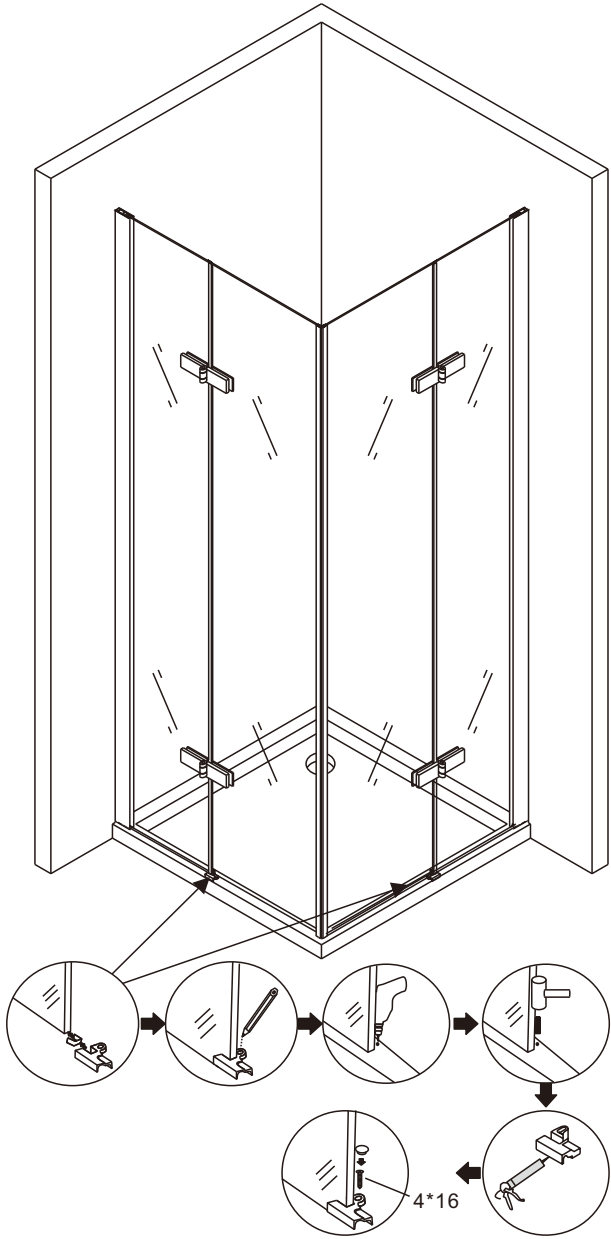
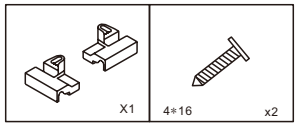
3



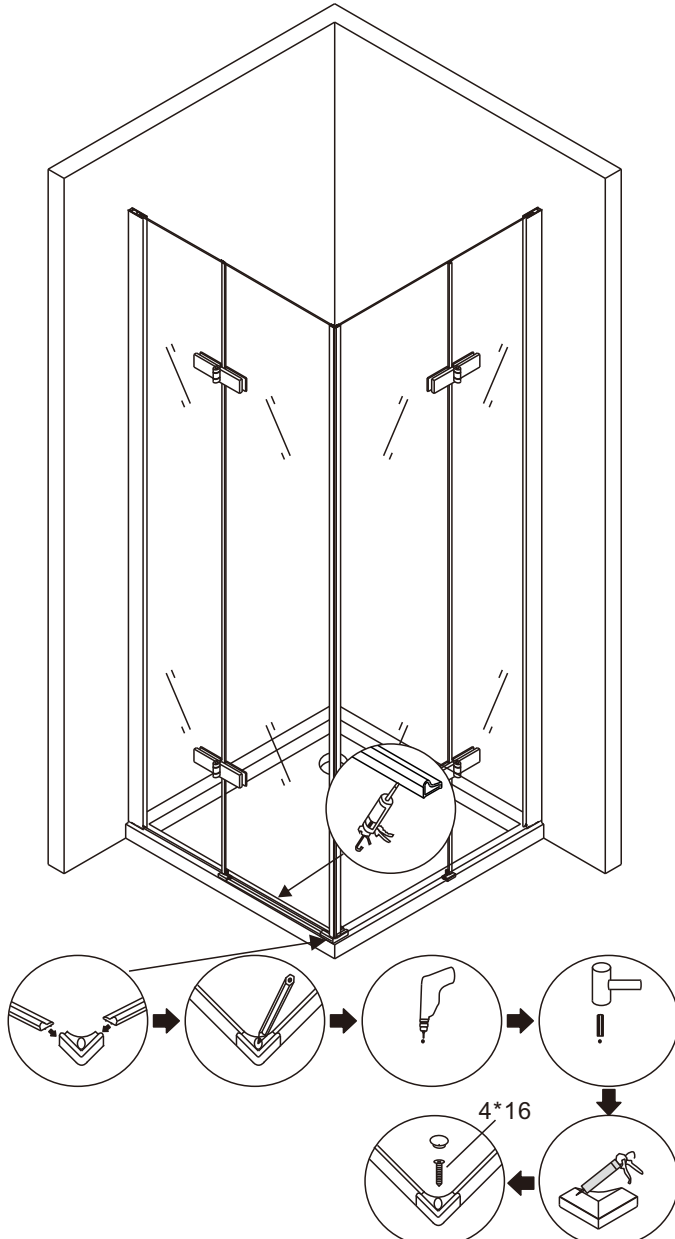
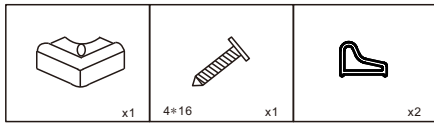
4

5

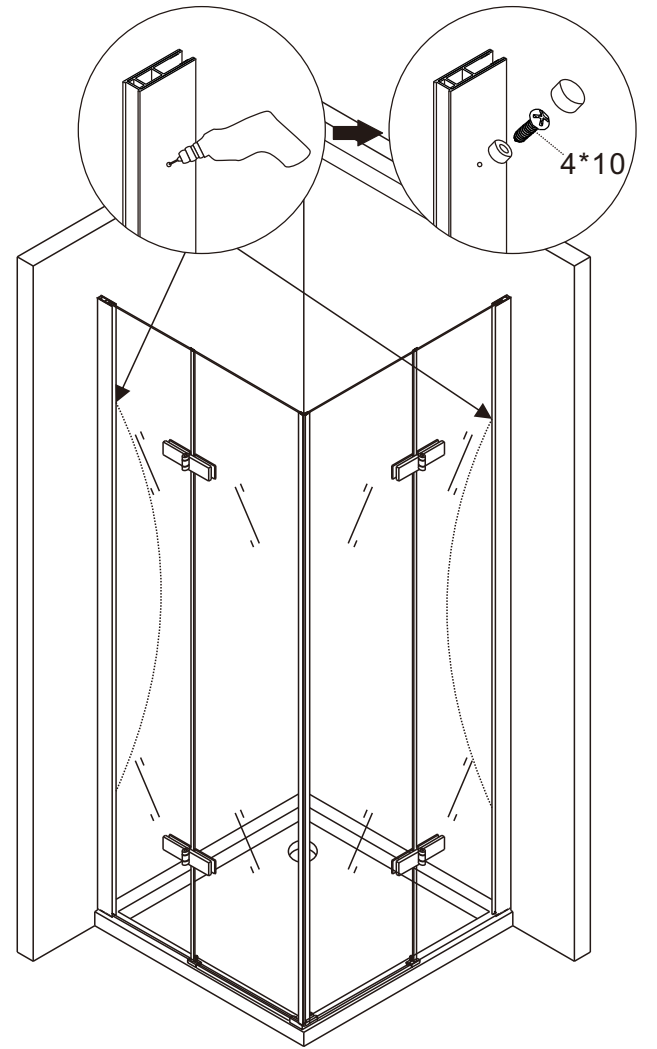
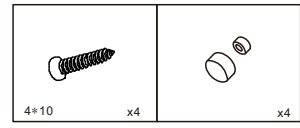
6



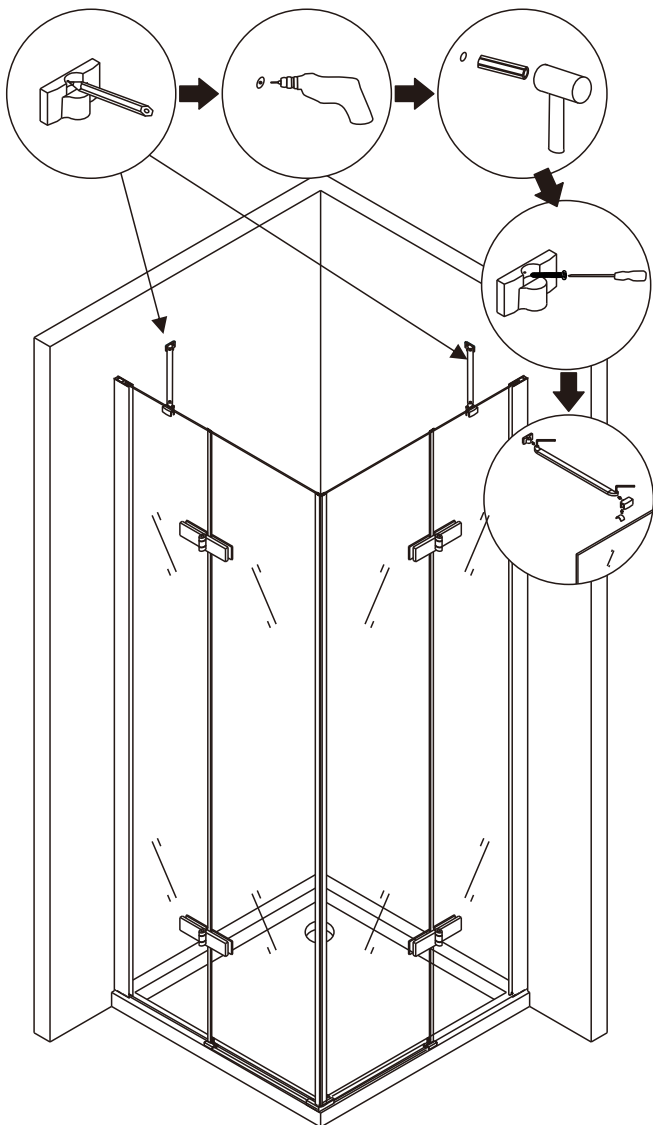
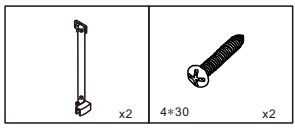
7



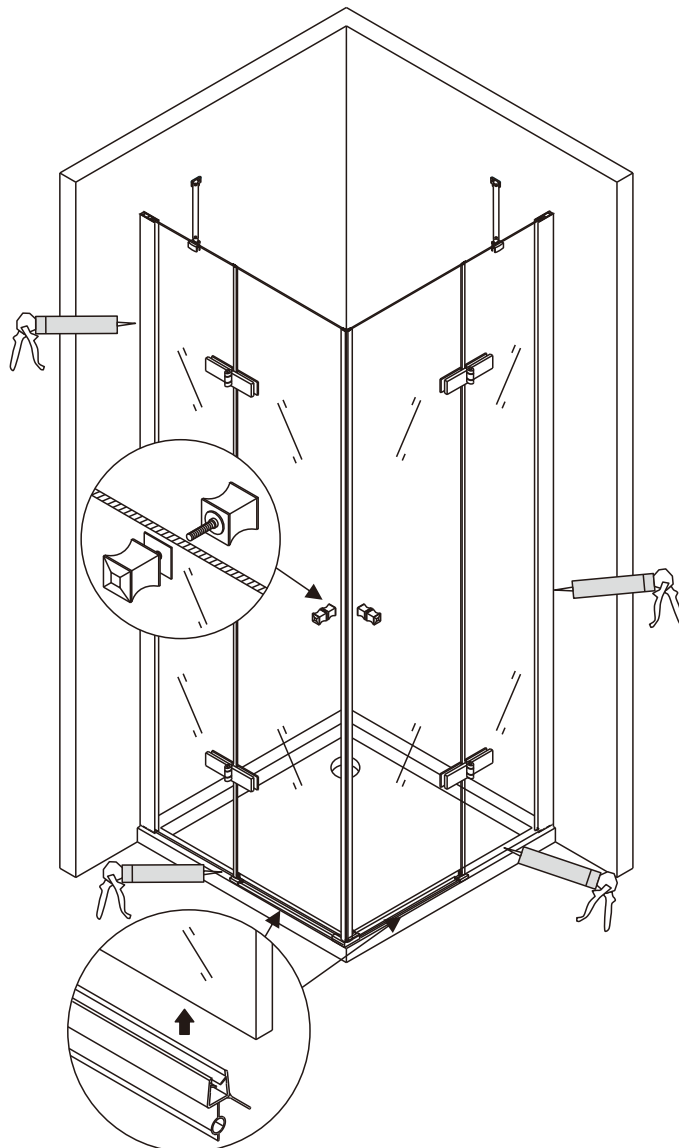
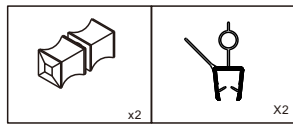
8



9



10



11

12