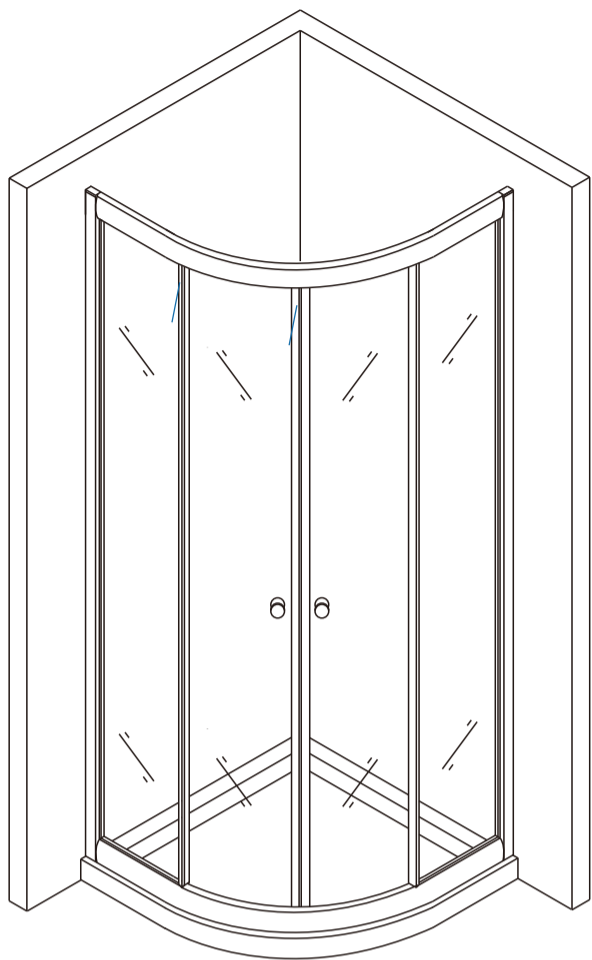


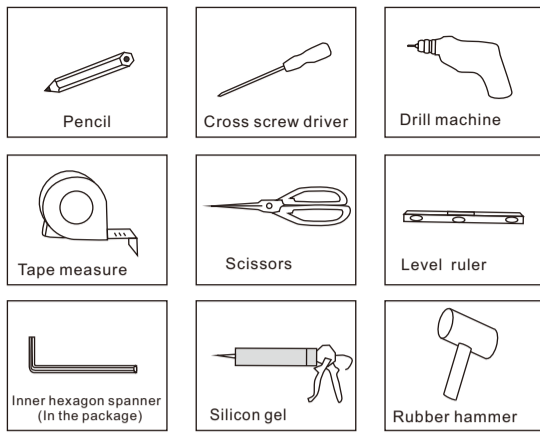
# INSTALLATION MANUAL



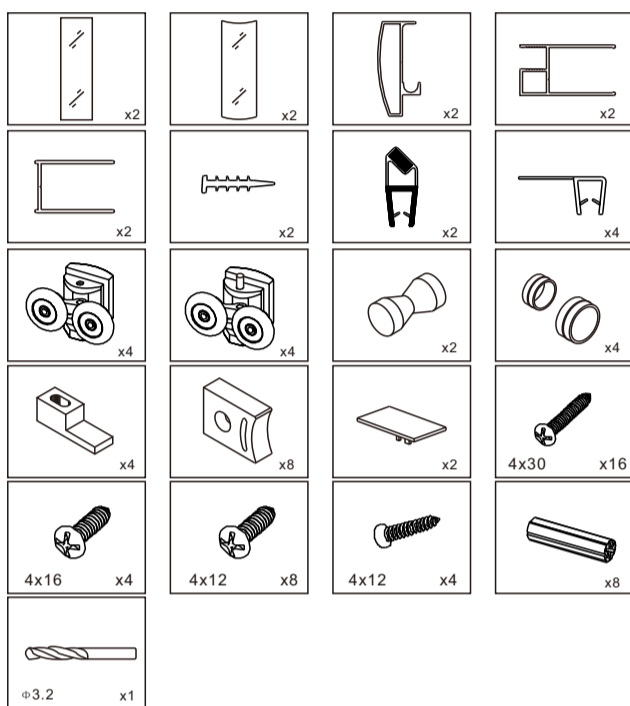
## ATL-503

1

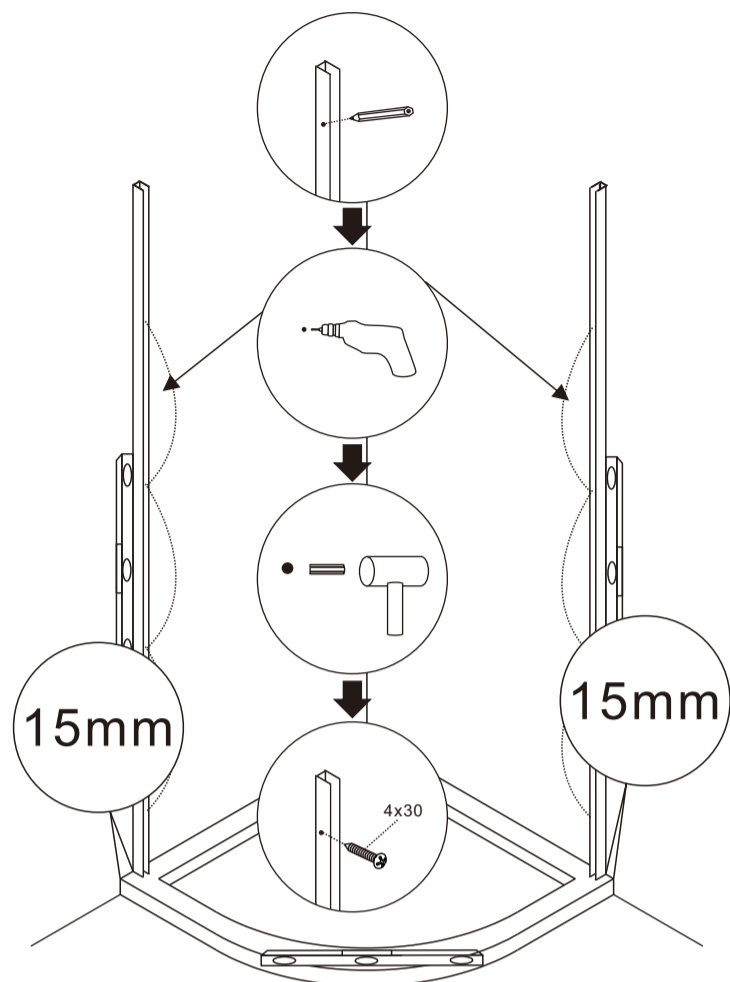
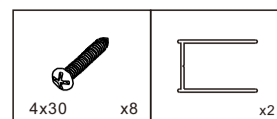
### TOOL PICTURE



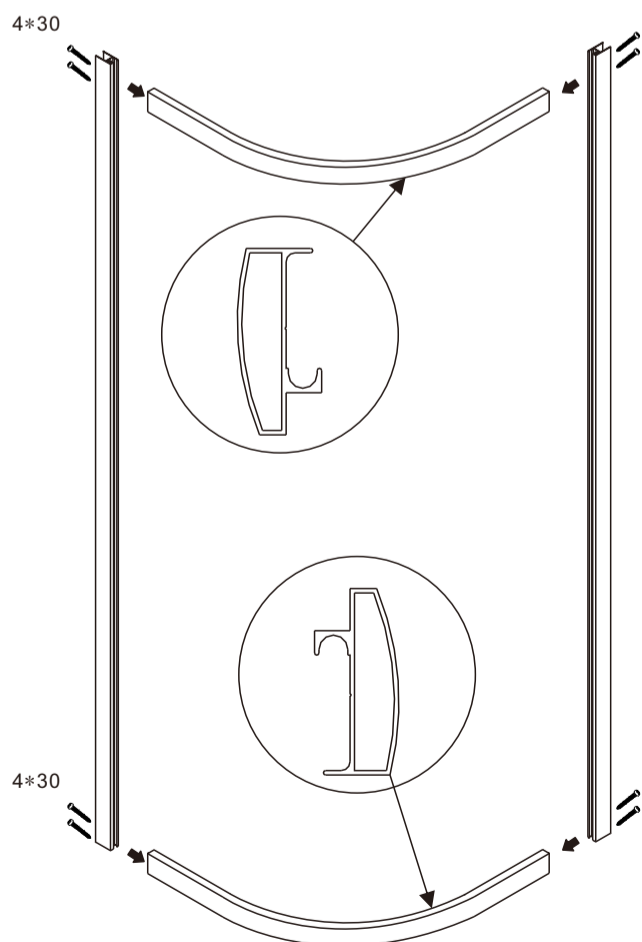
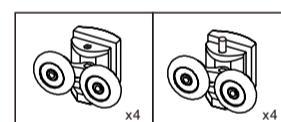
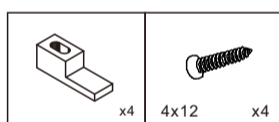
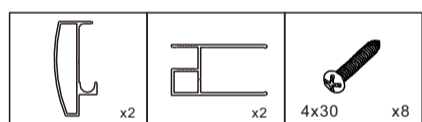
### Accessory list



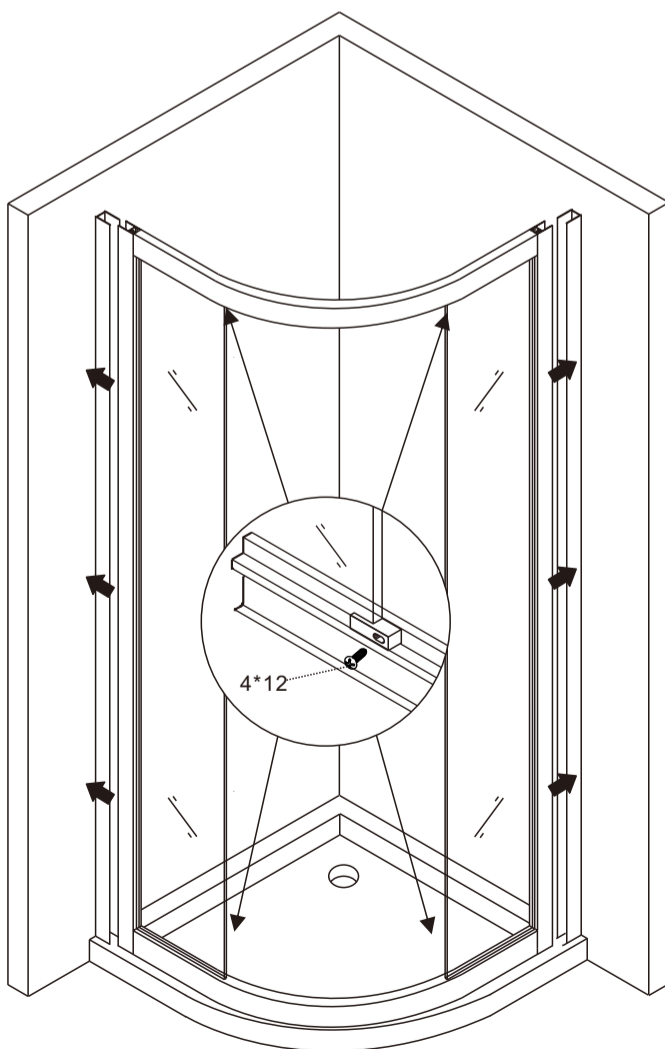
2



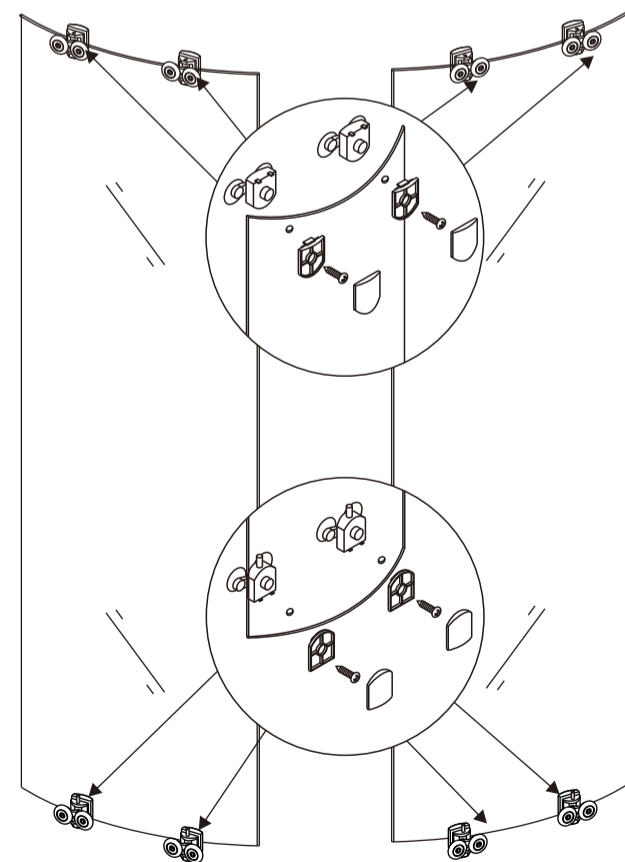
3



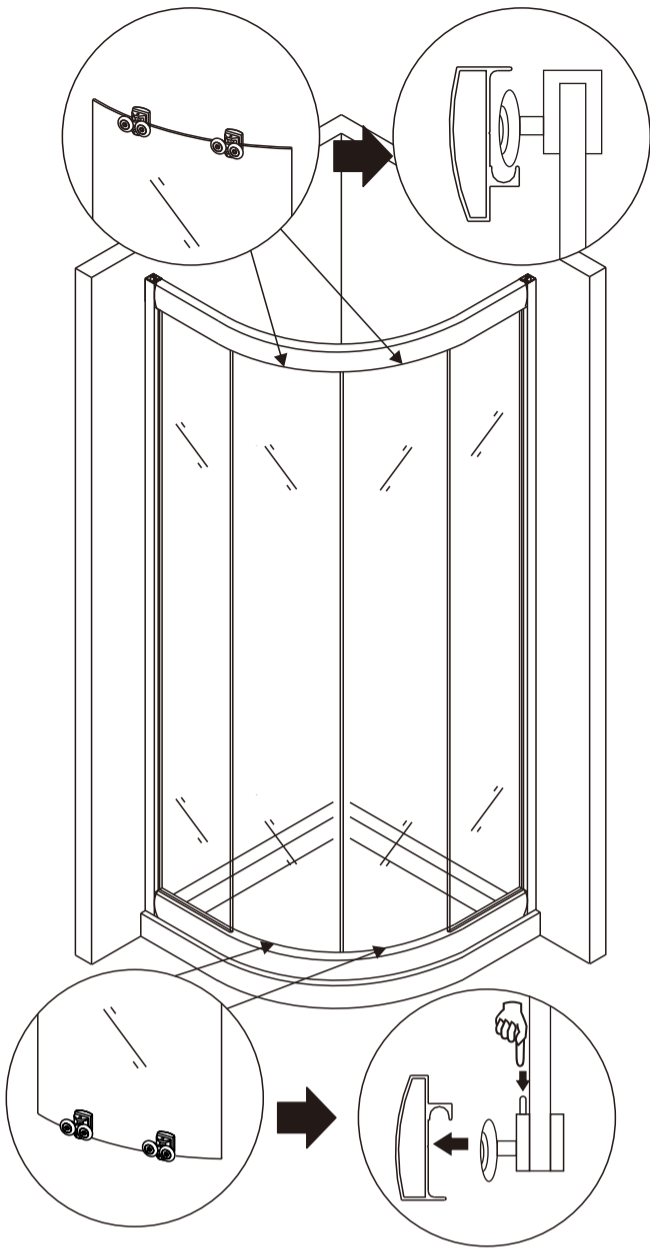
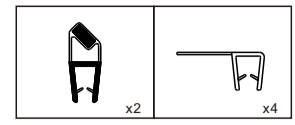
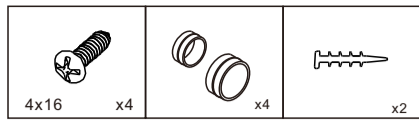
4



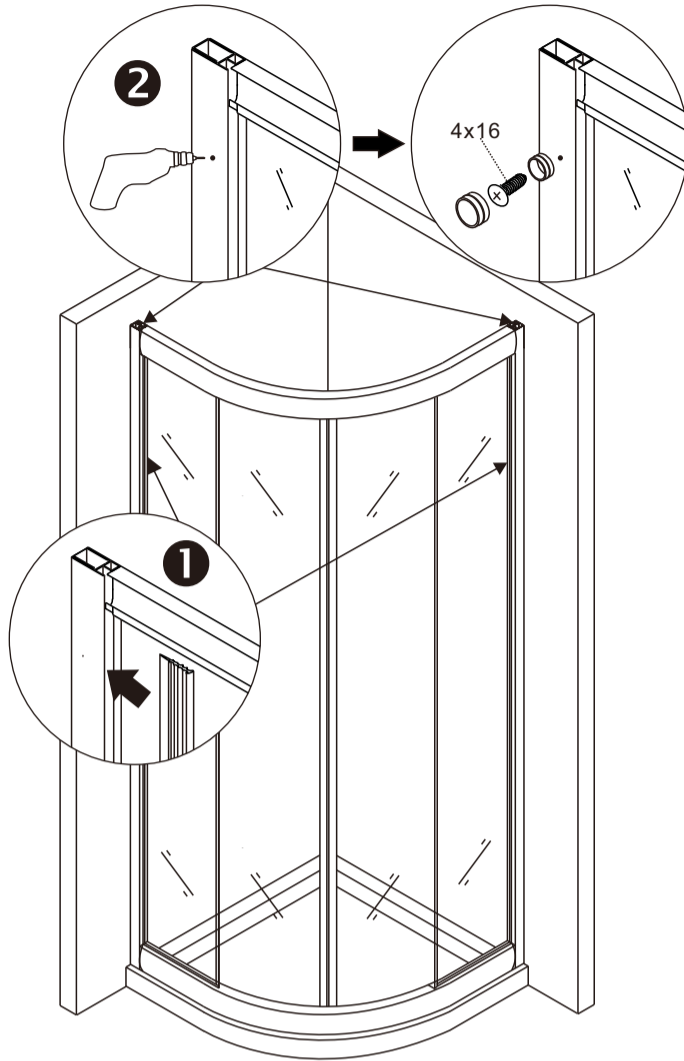
5



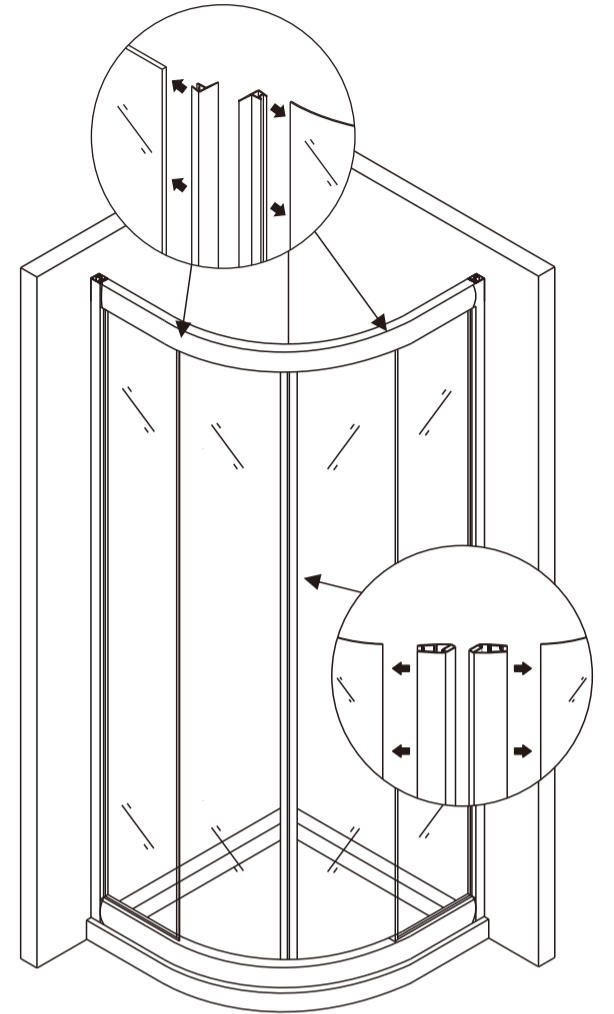
6



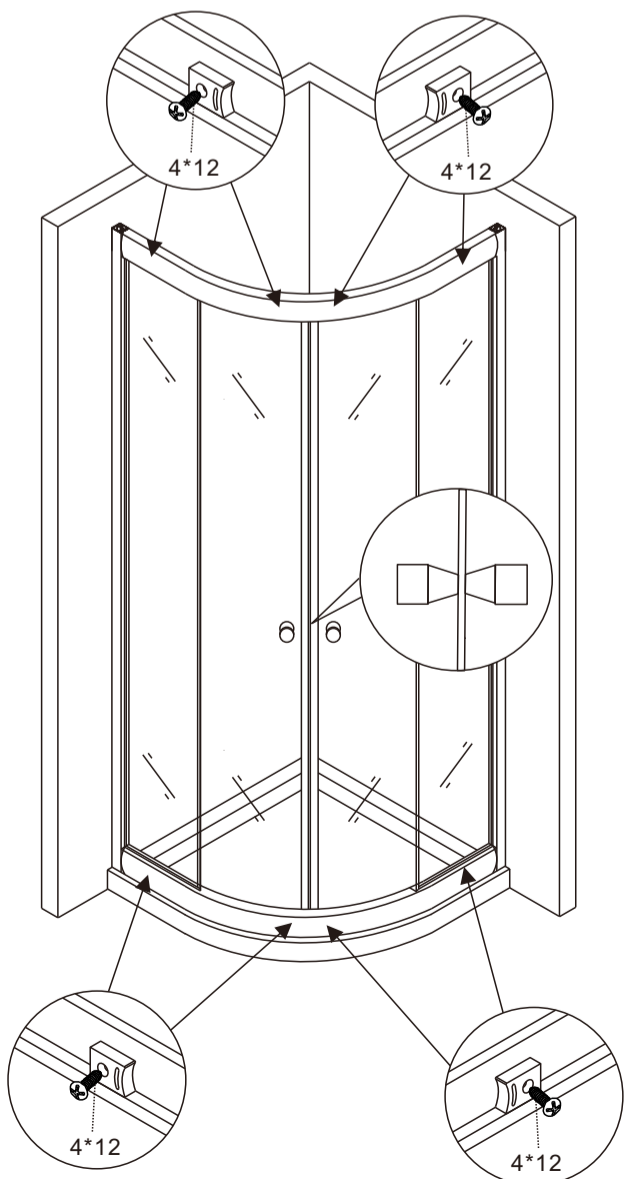
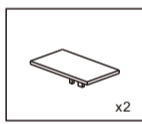
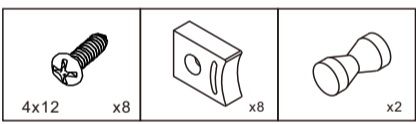
7



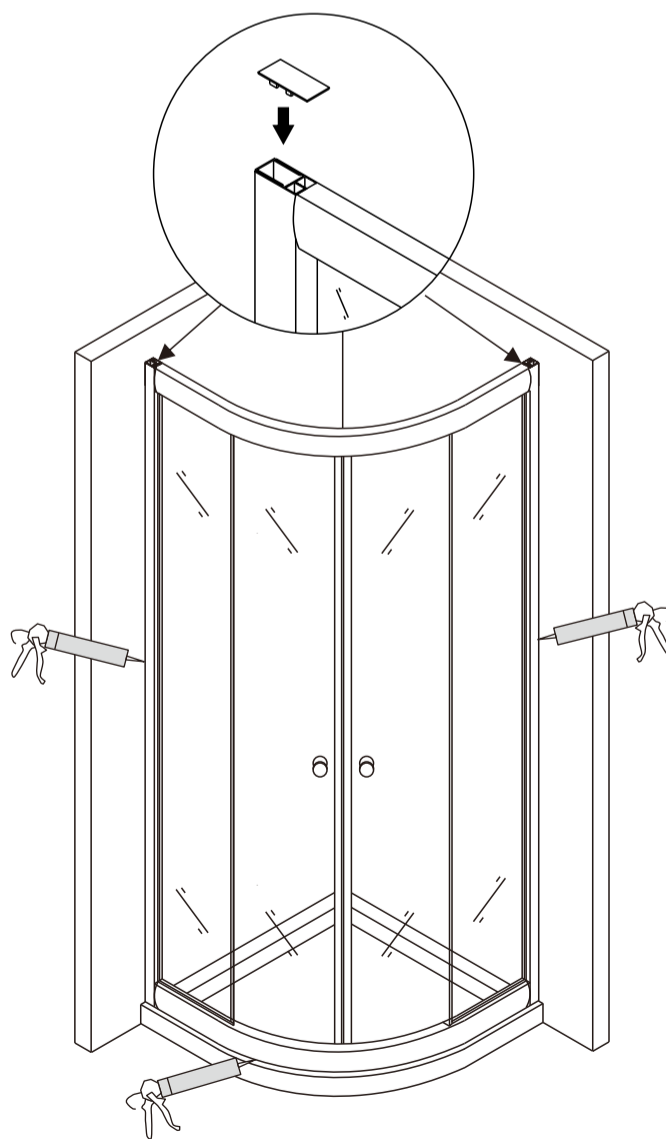
8



9



10



11

12