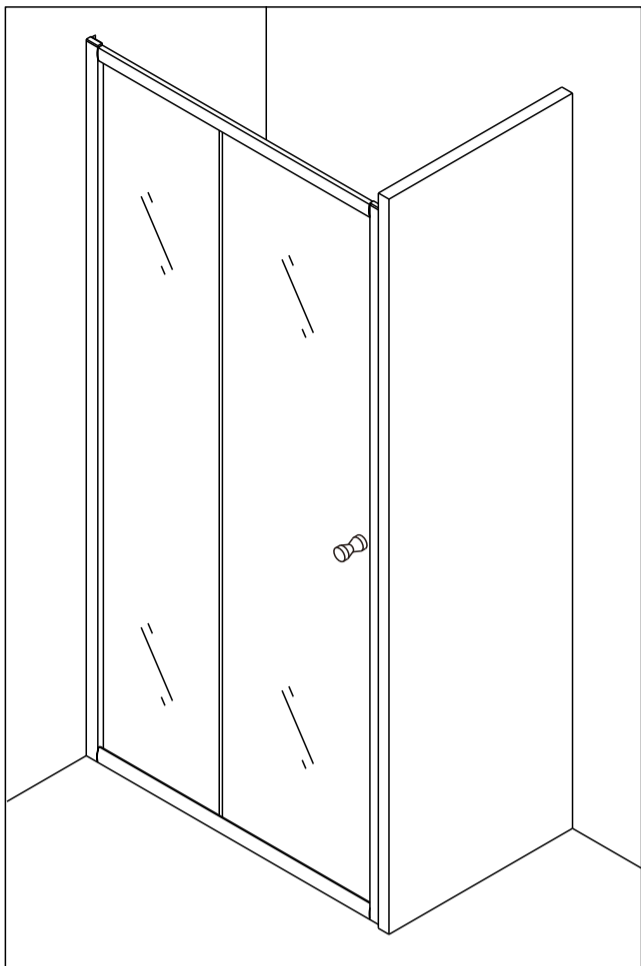


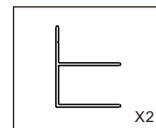
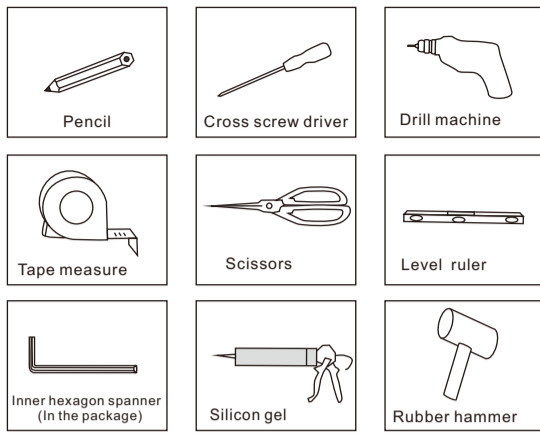
# INSTALLATION MANUAL



## ATL-505A

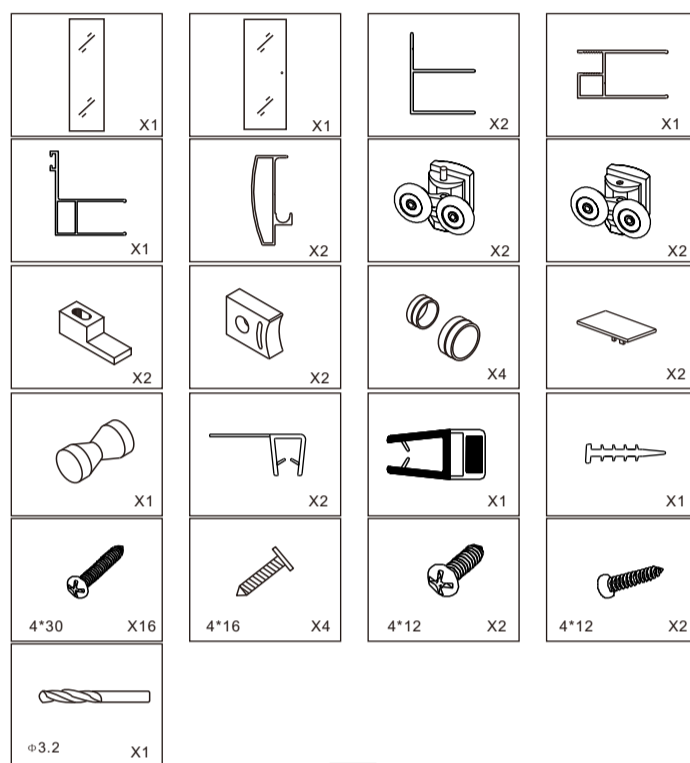
1

### TOOL PICTURE



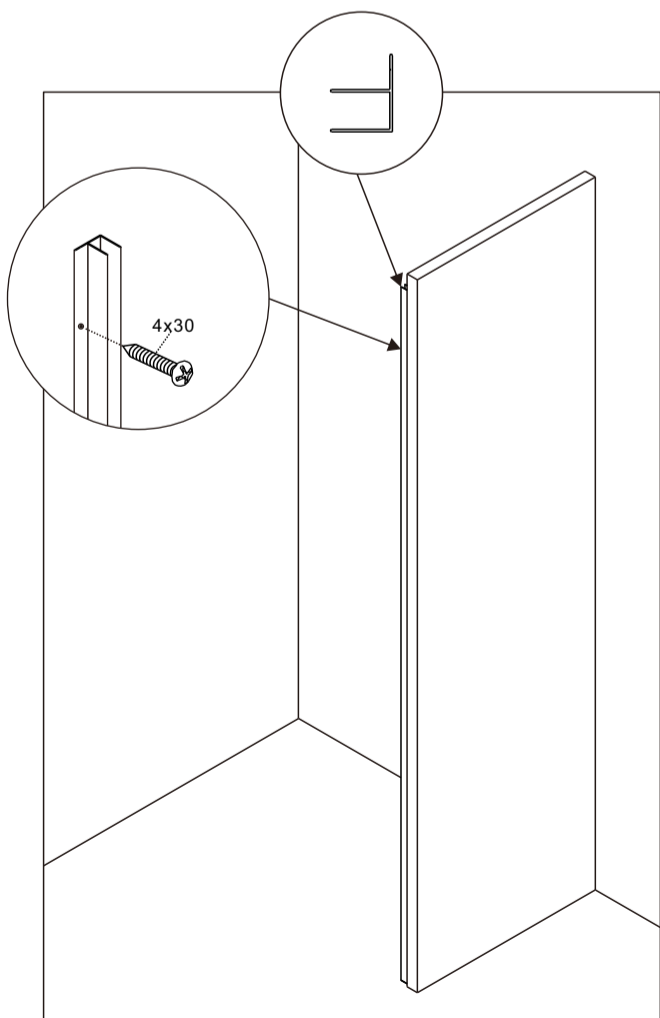
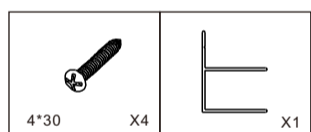
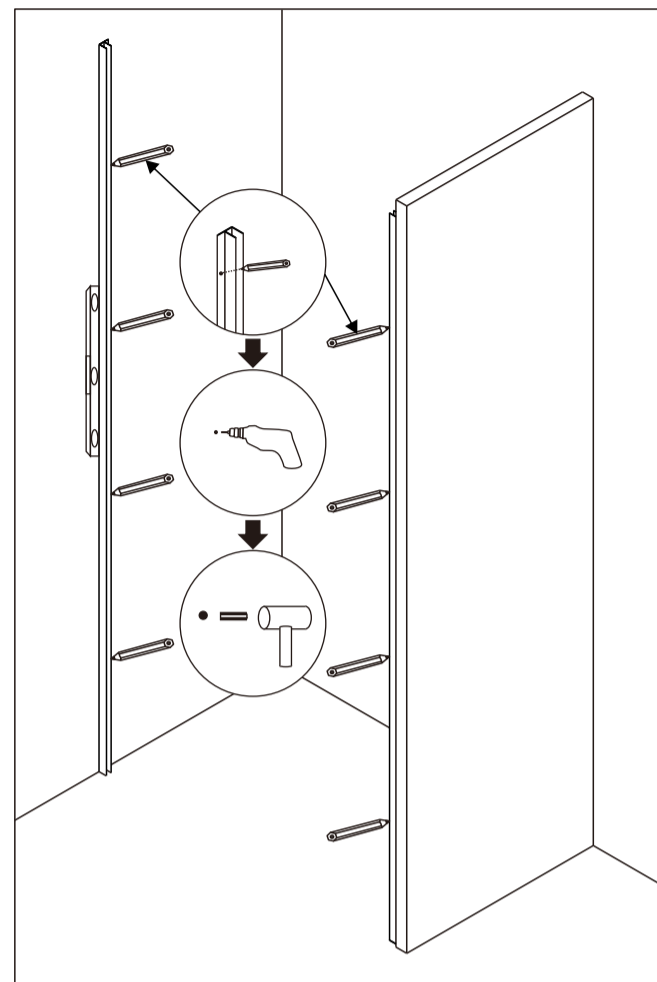
### Accessory list

#### LIEFERUMFANG

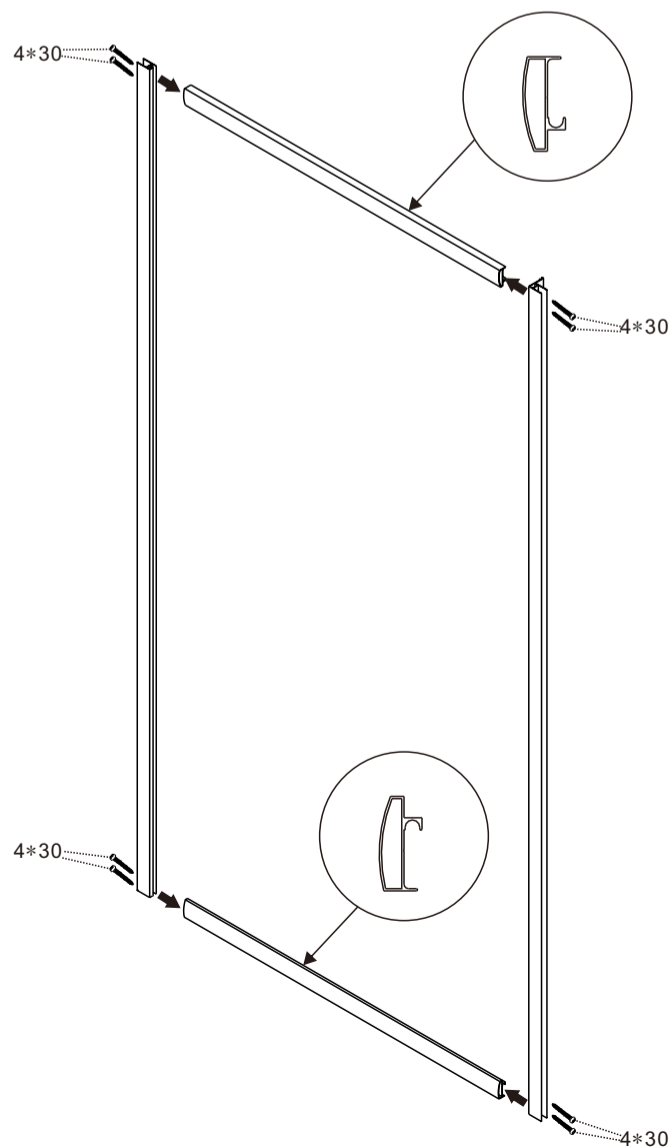
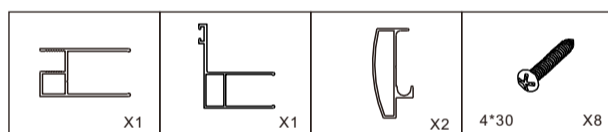


2

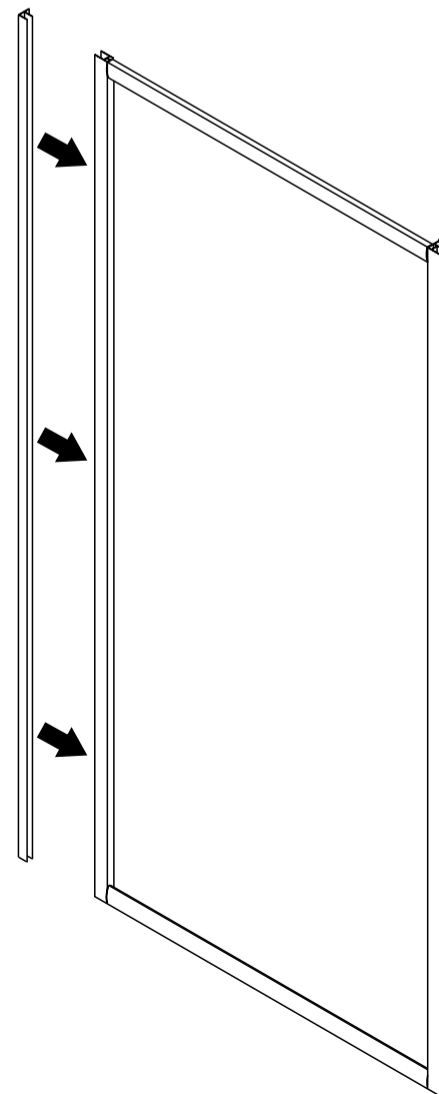
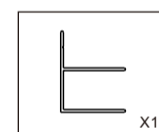
3



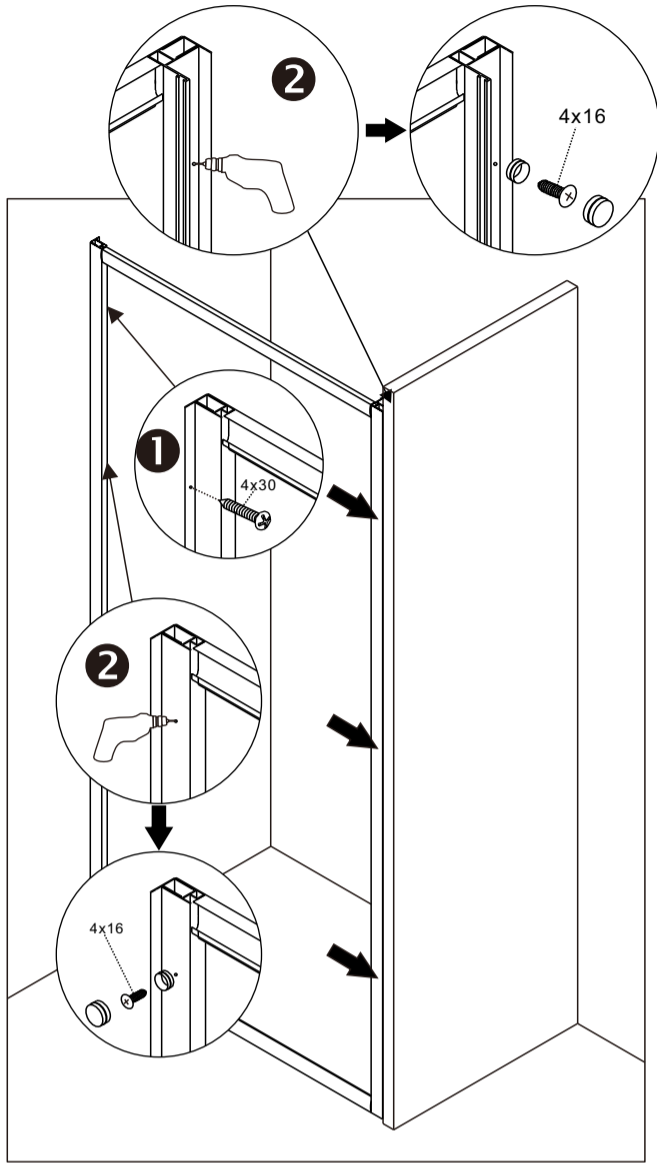
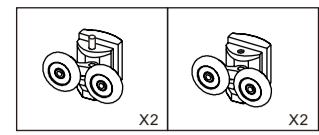
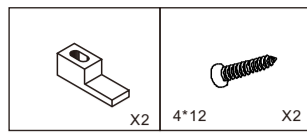
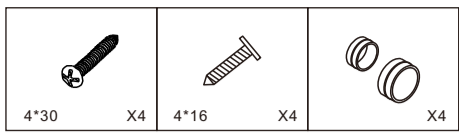
4



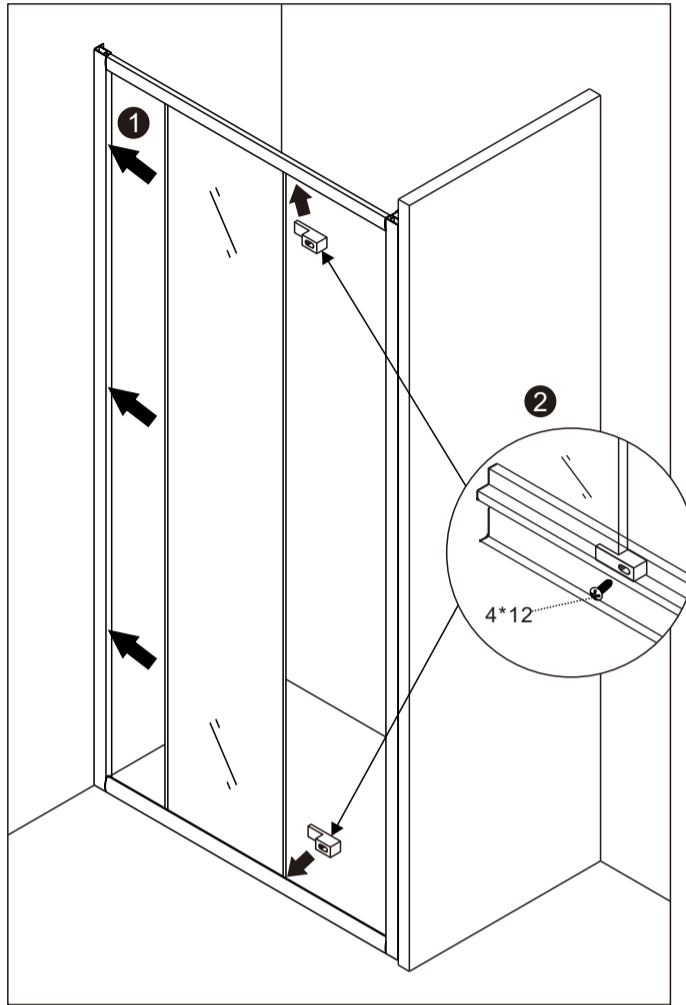
5



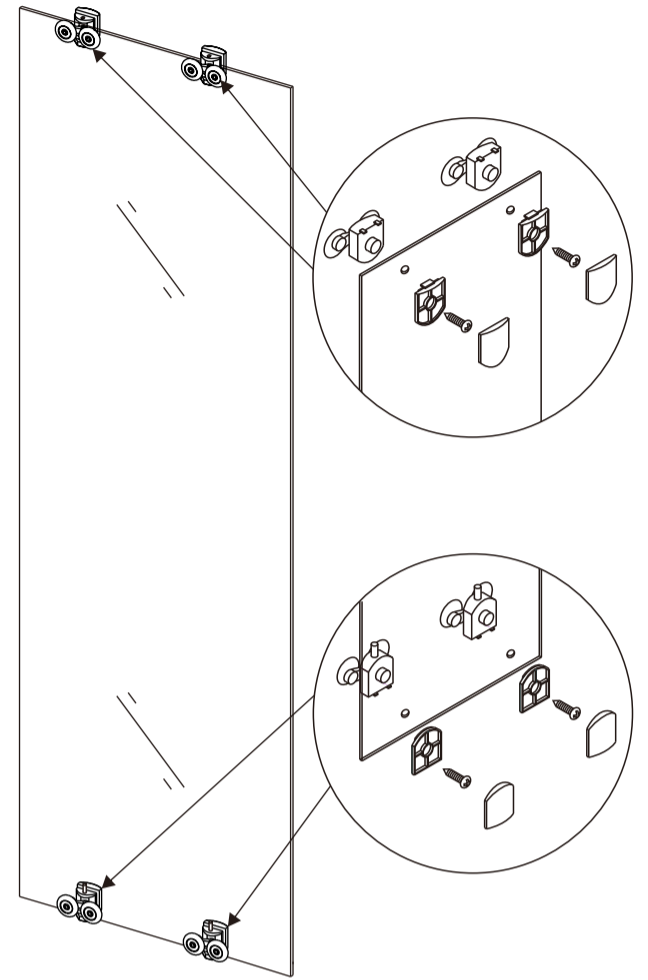
6



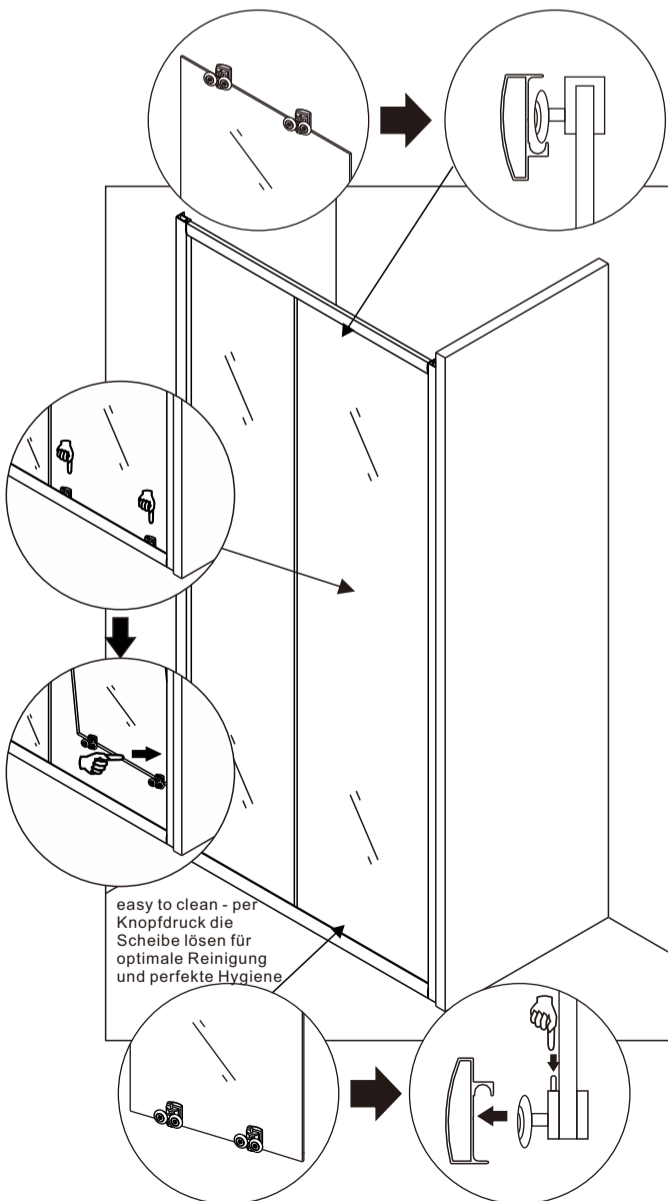
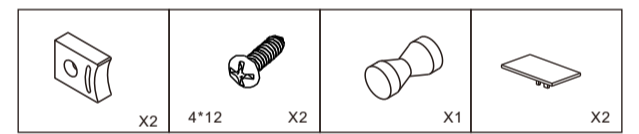
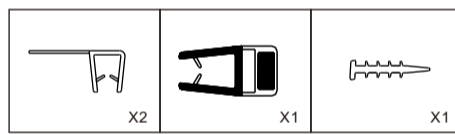
7



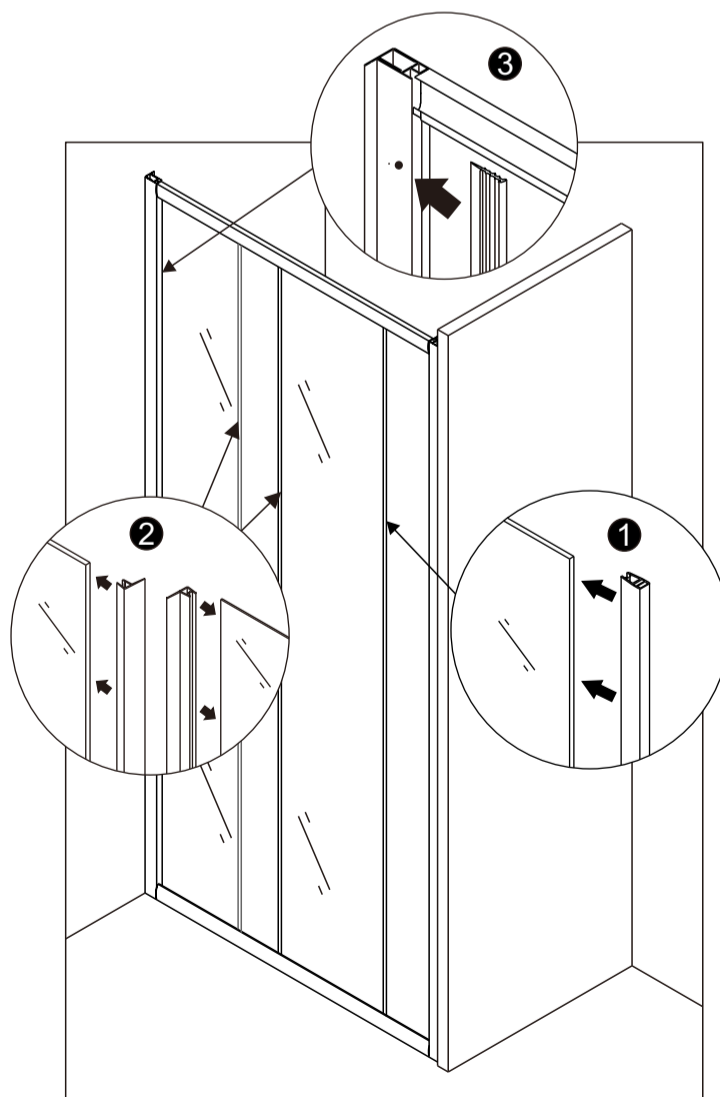
8



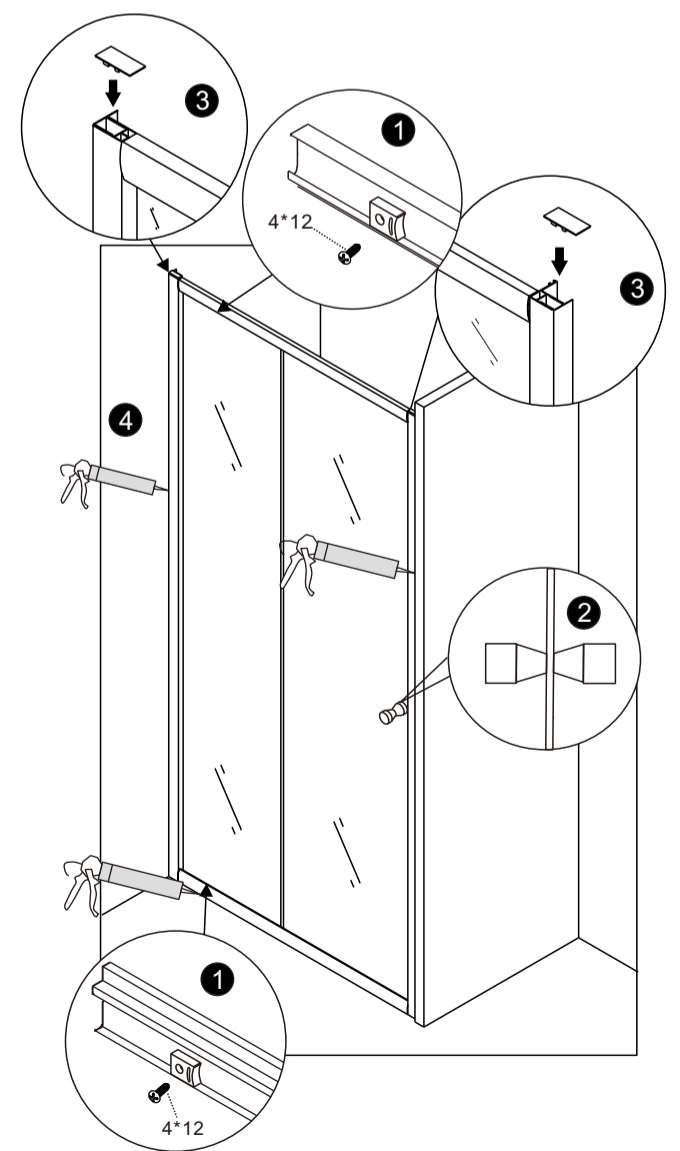
9



10



11



12