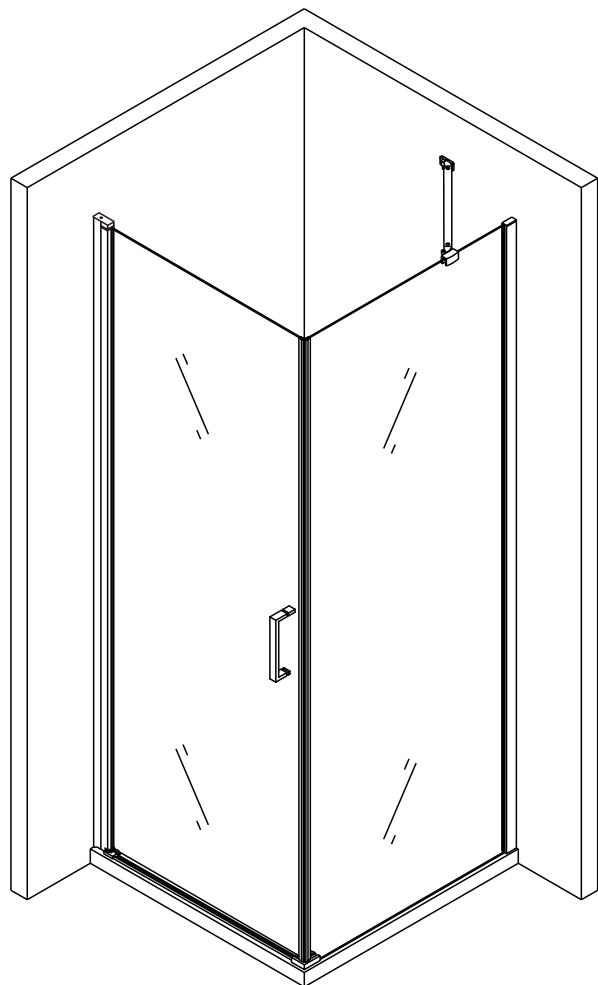


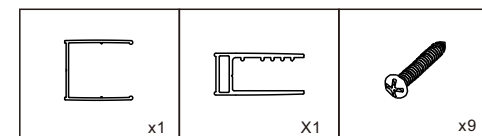
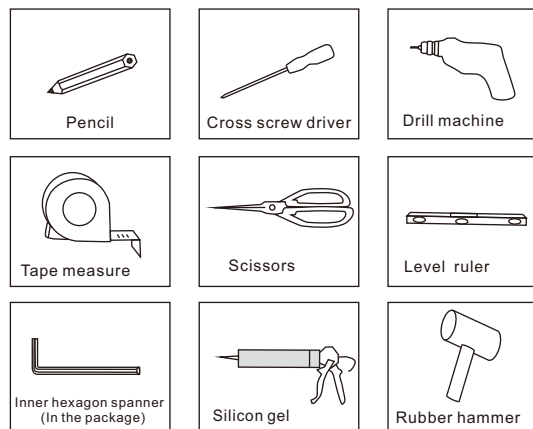
# INSTALLATION MANUAL



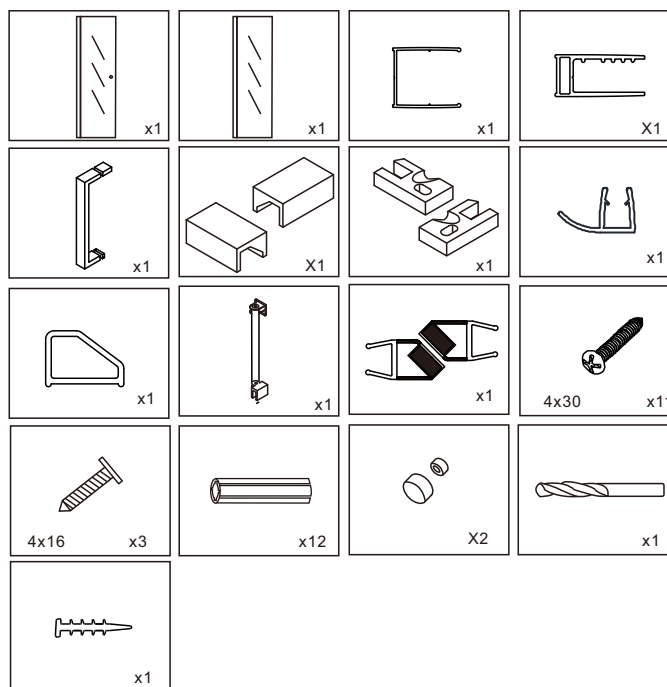
## ATL-217

1

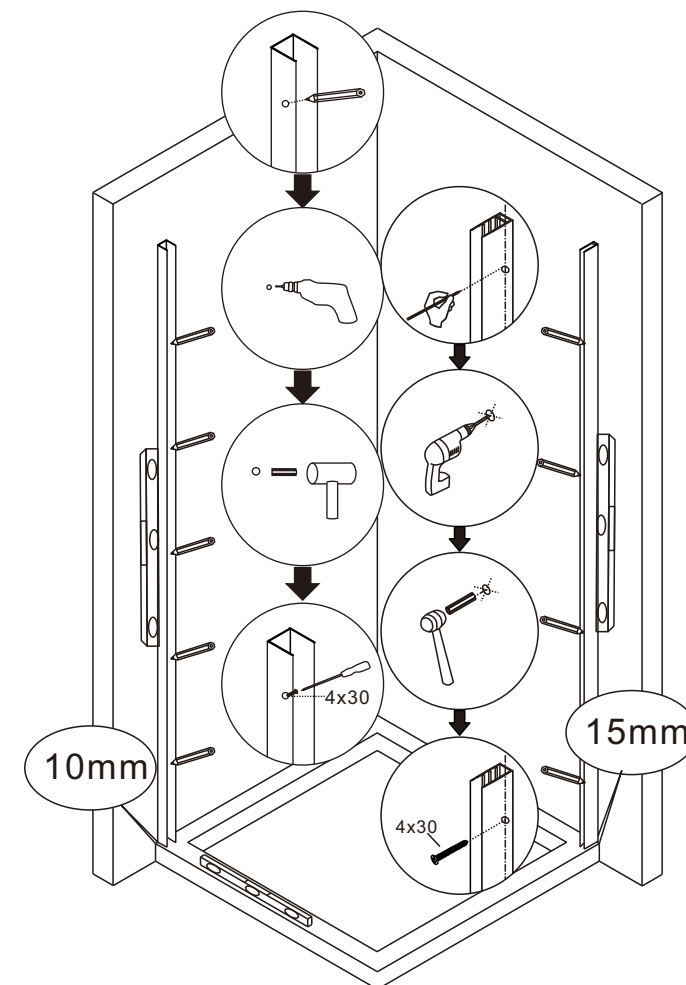
## TOOL PICTURE



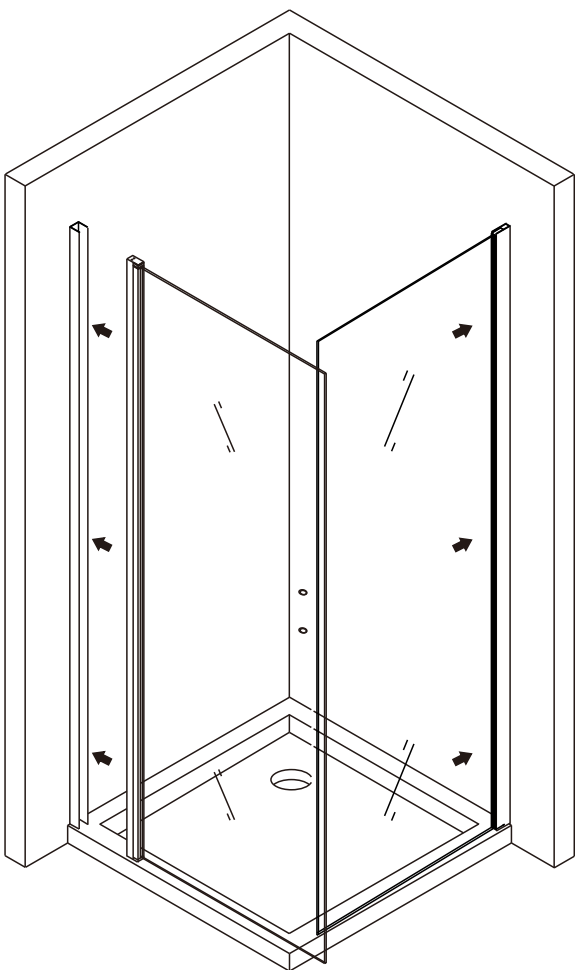
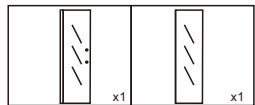
## Accessory list



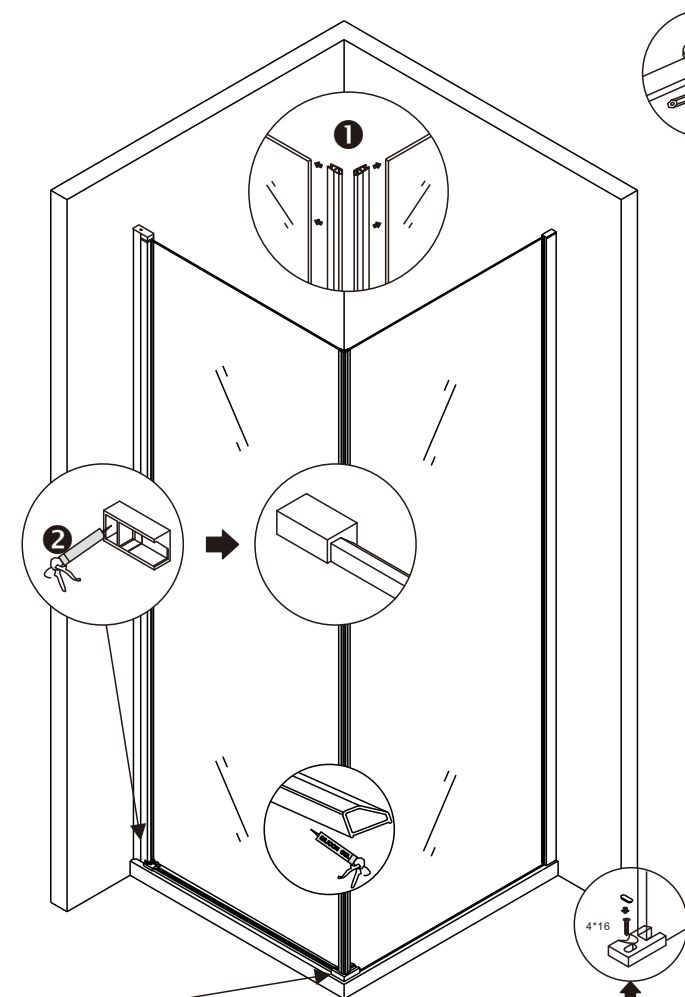
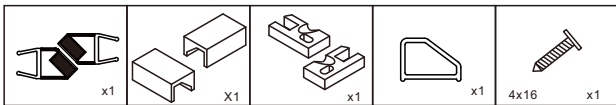
2



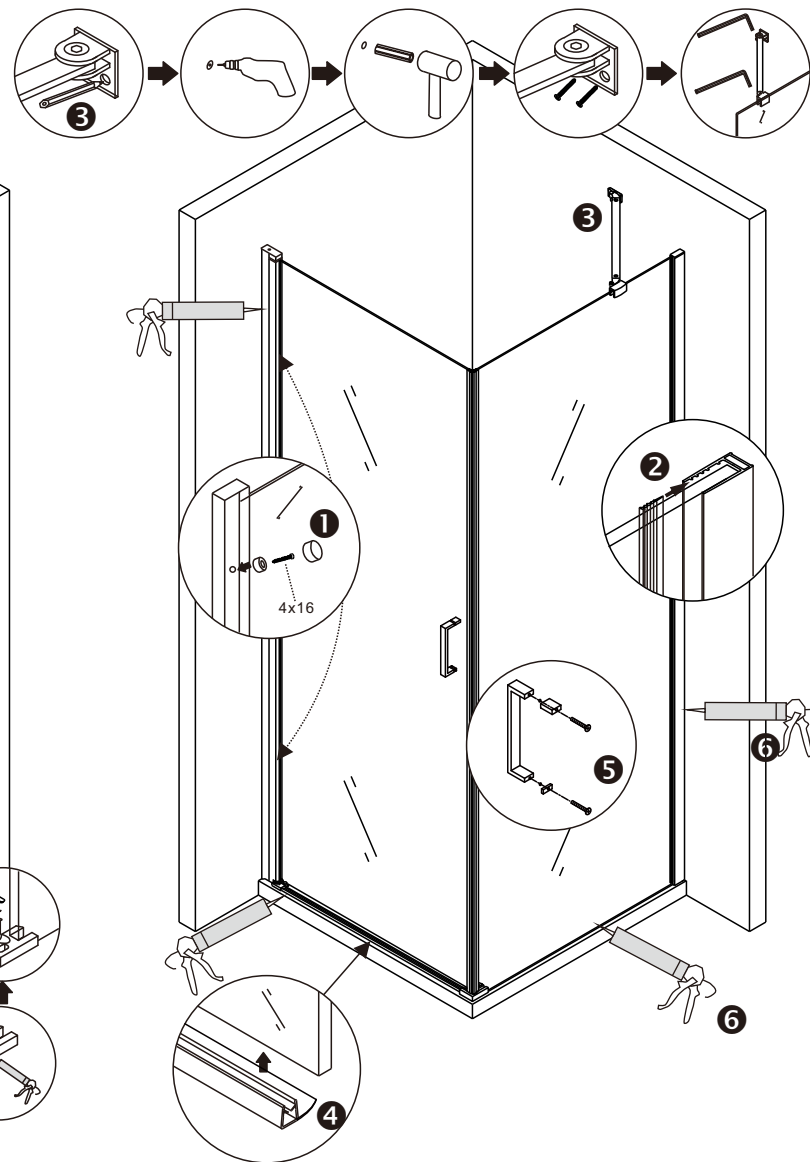
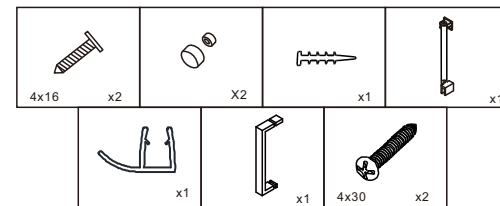
3



4



5



6